

Handwheels

with cylindrical revolving grip



Material, surface finish:

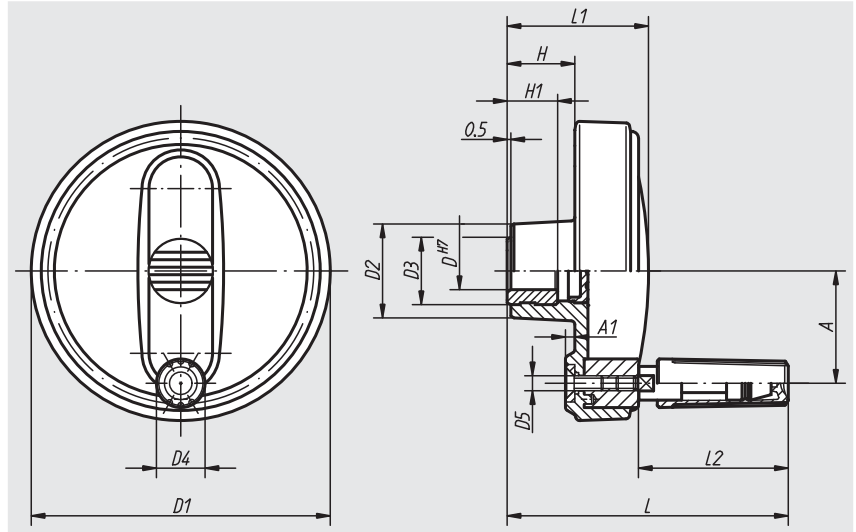
Anthracite grey thermoplastic.
Steel parts black oxide finish.

Sample order:

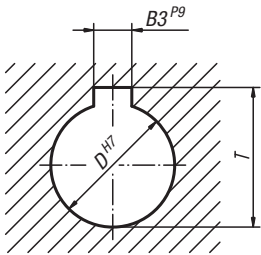
nIm 06263-108008

Note:

The bush cover and the revolving grip are supplied loose.
To assemble the grip, simply screw it into the existing hole.
The handwheels can be secured using a transverse pin or with axial key and keyway connection together with a DIN 6912 socket head screw and a DIN 7349 washer.
Assembly example see article 06262.



hub slot according to
DIN 6885-1



Order No. hub without slot	Order No. hub with slot	Size	D	D1	D2	D3	D4	D5	A	A1	H	H1	L	L1	L2	B3	T	Approx. weight kg
06263-108008	06263-10800802	1	8	80	25	19	13	M4	30	2,5	17,5	13	75	37,5	40	-/2	-/9	0,101
06263-108010	06263-10801003	1	10	80	25	19	13	M4	30	2,5	17,5	13	75	37,5	40	-/3	-/11,4	0,101
06263-108012	06263-10801204	1	12	80	25	19	13	M4	30	2,5	17,5	13	75	37,5	40	-/4	-/13,8	0,101
06263-210010	06263-21001003	2	10	100	28	19	16	M5	38	3	20	13	90	44	49,5	-/3	-/11,4	0,178
06263-210012	06263-21001204	2	12	100	28	19	16	M5	38	3	20	13	90	44	49,5	-/4	-/13,8	0,178
06263-312512	06263-31251204	3	12	125	35	25	20	M6	47,5	4	23,5	18,5	109	53	60	-/4	-/13,8	0,318
06263-312514	06263-31251405	3	14	125	35	25	20	M6	47,5	4	23,5	18,5	109	53	60	-/5	-/16,3	0,318
06263-312516	06263-31251605	3	16	125	35	25	20	M6	47,5	4	23,5	18,5	109	53	60	-/5	-/18,3	0,318
06263-416014	06263-41601405	4	14	160	45	25	25	M8	62	5,6	28	18,5	144	64,5	83,5	-/5	-/16,3	0,636
06263-416016	06263-41601605	4	16	160	45	25	25	M8	62	5,6	28	18,5	144	64,5	83,5	-/5	-/18,3	0,636

01000
02000
03000
04000
05000
06000
07000
08000
09000
20000
21000
22000
23000