

Handwheels

with cylindrical fold-away grip



Material, surface finish:

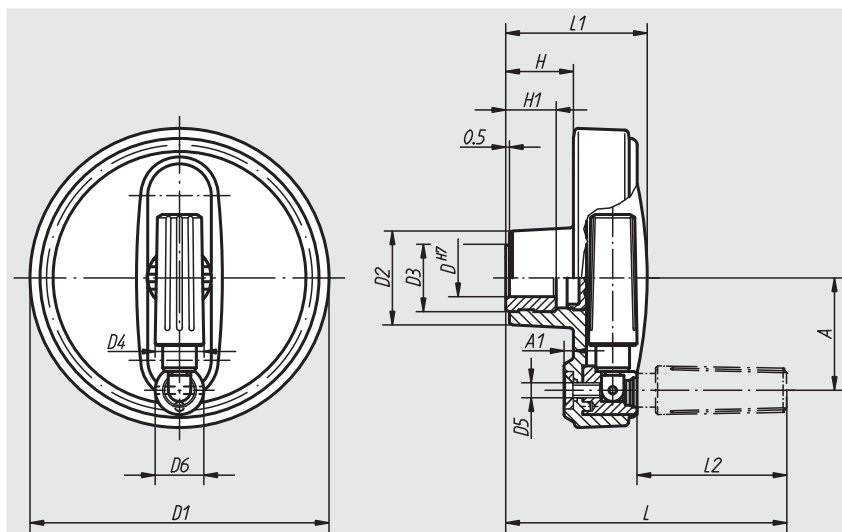
Anthracite grey thermoplastic.
Steel parts black oxide finish.

Sample order:

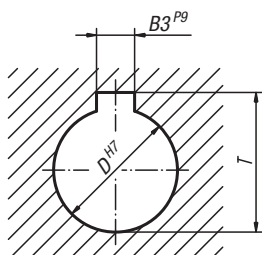
nIm 06264-108008

Note:

The hub cover is supplied unassembled.
The handwheels can be secured axially to the shaft via feather connection by cross-pinning or with a socket head screw to DIN 6912 and a washer to DIN 7349.
Assembly example see 06262.



hub slot according to
DIN 6885-1



Order No. hub without slot	Order No. hub with slot	Size	D	D1	D2	D3	D4	D5	D6	A	A1	H	H1	L	L1	L2	B3	T	Approx. weight kg
06264-108008	06264-10800802	1	8	80	25	19	13	M4	13	30	2,5	17,5	13	75	37,5	40	-/2	-/9	0,100
06264-108010	06264-10801003	1	10	80	25	19	13	M4	13	30	2,5	17,5	13	75	37,5	40	-/3	-/11,4	0,100
06264-108012	06264-10801204	1	12	80	25	19	13	M4	13	30	2,5	17,5	13	75	37,5	40	-/4	-/13,8	0,100
06264-210010	06264-21001003	2	10	100	28	19	16	M5	16	38	3	20	13	90	44	49	-/3	-/11,4	0,179
06264-210012	06264-21001204	2	12	100	28	19	16	M5	16	38	3	20	13	90	44	49	-/4	-/13,8	0,179
06264-312512	06264-31251204	3	12	125	35	25	20	M6	20	47,5	4	23,5	18,5	109	53	59,5	-/4	-/13,8	0,328
06264-312514	06264-31251405	3	14	125	35	25	20	M6	20	47,5	4	23,5	18,5	109	53	59,5	-/5	-/16,3	0,328
06264-312516	06264-31251605	3	16	125	35	25	20	M6	20	47,5	4	23,5	18,5	109	53	59,5	-/5	-/18,3	0,328
06264-416014	06264-41601405	4	14	160	45	25	25	M8	26	62	5,6	28	18,5	144	64,5	83,5	-/5	-/16,3	0,651
06264-416016	06264-41601605	4	16	160	45	25	25	M8	26	62	5,6	28	18,5	144	64,5	83,5	-/5	-/18,3	0,651