

Aluminium disc handwheels

similar DIN 950



Material:

Handwheel in aluminium.

Surface finish:

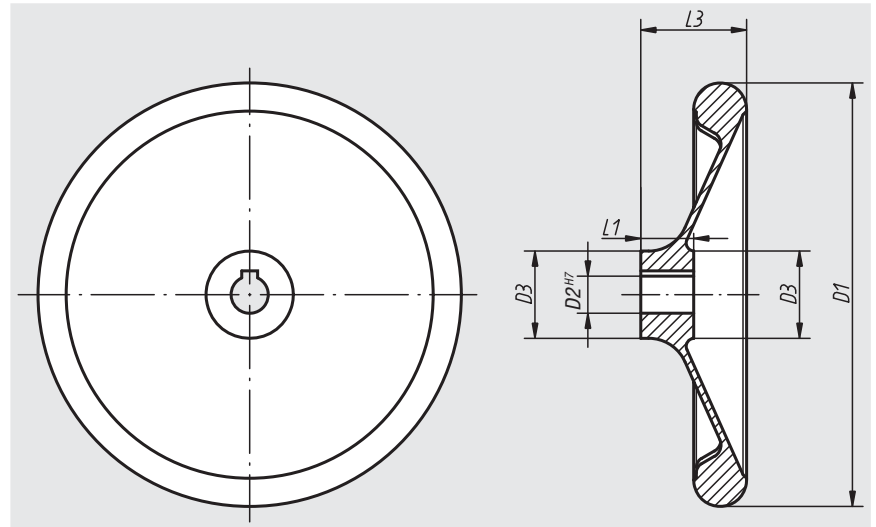
Wheel rim turned and polished.
Centre bore is concentric and parallel with outside of handle to IT 12.

Sample order:

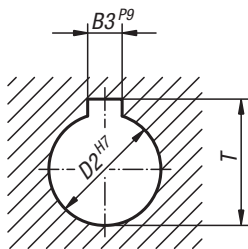
nIm 06279-0080X10

On request:

Hubs with square socket or plastic-coated handwheels.



hub slot according to DIN 6885-1



Order No. hub without slot	Order No. hub with slot	D1	D2 line 1	D2 line 2	D3	L1	L3	B3 line 1	B3 line 2	T line 1	T line 2	Approx. weight kg
06279-0080X10	06279-1080X10	80	10	-	25	16	30	3	-	11,4	-	0,150
06279-0080X12	06279-1080X12	80	-	12	25	16	30	-	4	-	13,8	0,150
06279-0100X10	06279-1100X10	100	10	-	28	17	31	3	-	11,4	-	0,220
06279-0100X12	06279-1100X12	100	-	12	28	17	31	-	4	-	13,8	0,220
06279-0120X12	06279-1120X12	120	12	-	27	18	30	4	-	13,8	-	0,250
06279-0120X14	06279-1120X14	120	-	14	27	18	30	-	5	-	16,3	0,250
06279-0160X14	06279-1160X14	160	14	-	34	20	40	5	-	16,3	-	0,660
06279-0160X16	06279-1160X16	160	-	16	34	20	40	-	5	-	18,3	0,660
06279-0200X18	06279-1200X18	200	18	-	40	24	44	6	-	20,8	-	1,100
06279-0200X22	06279-1200X22	200	-	22	40	24	44	-	6	-	24,8	1,100
06279-0250X22	06279-1250X22	250	22	-	49	28	61	6	-	24,8	-	2,000
06279-0250X26	06279-1250X26	250	-	26	49	28	61	-	8	-	29,3	2,000
06279-0280X24	06279-1280X24	280	24	-	51	30	38	8	-	27,3	-	2,300
06279-0280X28	06279-1280X28	280	-	28	51	30	38	-	8	-	31,3	2,300
06279-0360X28	06279-1360X28	360	28	-	63	35	73	8	-	31,3	-	4,500
06279-0360X32	06279-1360X32	360	-	32	63	35	73	-	10	-	35,3	4,500