

# Disc handwheels

with revolving grip



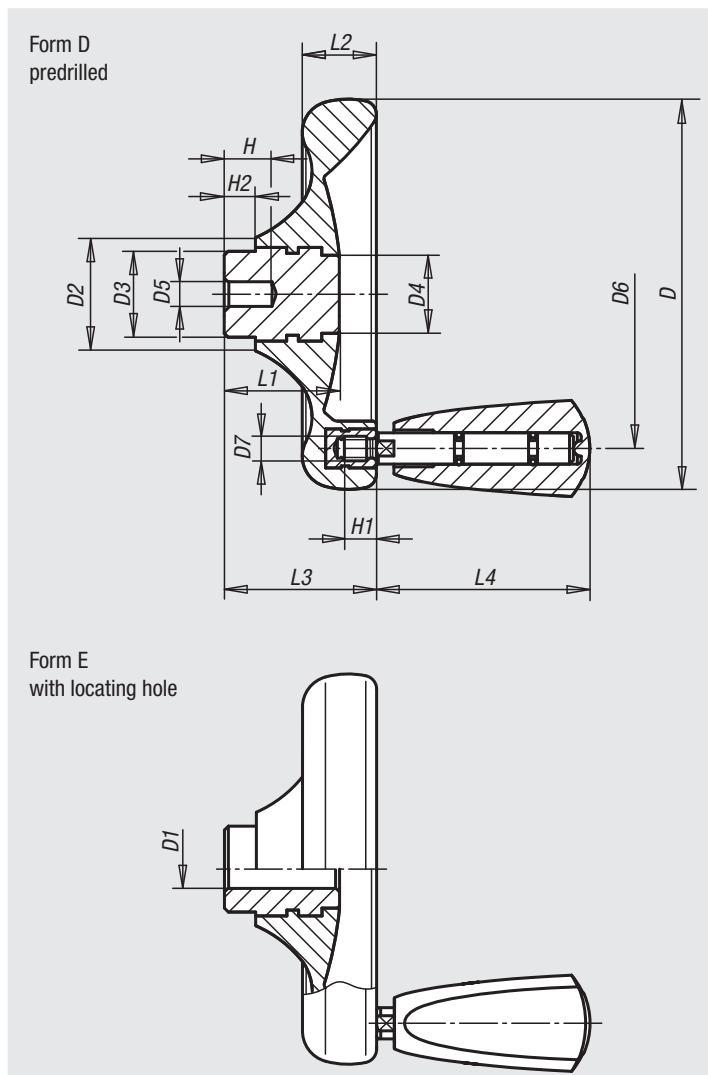
**Material:**  
 Duroplastic PF 31, black.  
 Hubs in steel, nickel-plated or stainless steel 1.4305, natural finish.  
 Grip revolving, steel parts nickel-plated or in stainless steel 1.4305, natural finish.

**Surface finish:**  
 Deburred and highly polished.

**Sample order:**  
 nlm 06287-0125X08

**Note:**  
 The handwheel is supplied with the grip unassembled.

**On request:**  
 Other bore sizes.



## Disc handwheels with revolving taper grip, steel parts in stainless steel

Order No. Form D	Order No. Form E	Size	D	D1	D2	D3	D4	D5	D6	D7	H	H1	H2	L1	L2	L3	L4
06287-0100X06	06287-1100X10	1	100	-/10 H8	29	22	20	6/ -	79	M6	12/ -	9	8	29,5	19	39	54,7
06287-0125X08	06287-1125X12	2	125	-/12 H8	34	26	21	8/ -	101	M6	15/ -	9	8	34	24	46	54,7
06287-0140X08	06287-1140X14	3	140	-/14 H8	39	30	25	8/ -	110	M8	16/ -	12	8	38,5	27	52	82,2
06287-0160X10	06287-1160X16	4	160	-/16 H8	43	33	30	10/ -	128	M8	20/ -	12	8	41,3	30,1	57	82,2
-	06287-1160X18	4	160	18 H8	43	33	30	-	128	M8	-	12	8	41,3	30,1	57	82,2

## Disc handwheels with revolving taper grip

Order No. Form D	Order No. Form E	Size	D	D1	D2	D3	D4	D5	D6	D7	H	H1	H2	L1	L2	L3	L4
06287-2100X06	06287-3100X10	1	100	-/10 H7	29	22	20	6/ -	79	M6	12/ -	9	8	29,5	19	39	54,7
06287-2125X08	06287-3125X12	2	125	-/12 H7	34	26	21	8/ -	101	M6	15/ -	9	8	34	24	46	54,7
06287-2140X08	06287-3140X14	3	140	-/14 H7	39	30	25	8/ -	110	M8	16/ -	12	8	38,5	27	52	82,2
06287-2160X10	06287-3160X16	4	160	-/16 H7	43	33	30	10/ -	128	M8	20/ -	12	8	41,3	30,1	57	82,2
-	06287-3160X18	4	160	18 H7	43	33	30	-	128	M8	-	12	8	41,3	30,1	57	82,2