

# Disc handwheels

without taper grip



**Material:**

Black duroplastic PF 31.

Hub in steel, nickel-plated or stainless steel 1.4305, natural finish.

**Surface finish:**

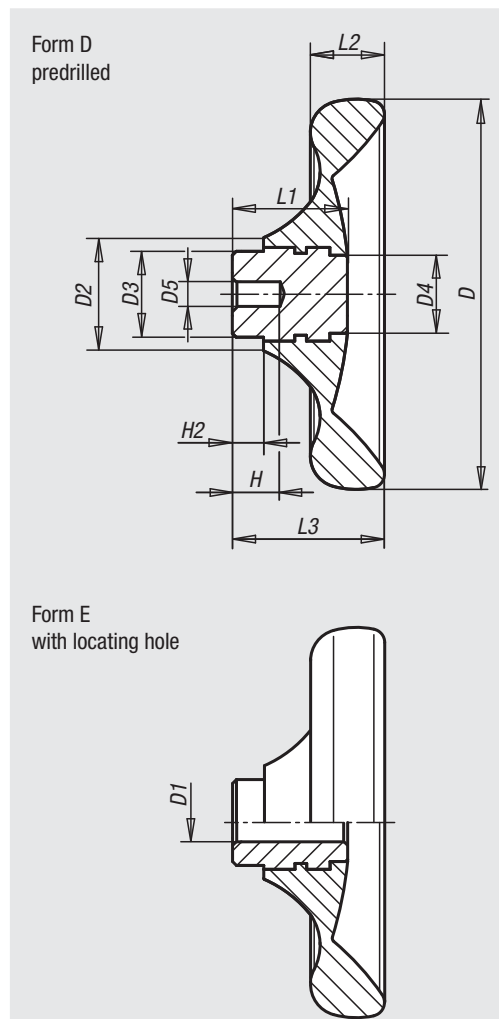
Deburred and high-polish finish.

**Sample order:**

nIm 06288-0100X06

**On request:**

Other locating holes.



## Disc handwheels without taper grip, bush in stainless steel

Order No. Form D	Order No. Form E	Size	D	D1	D2	D3	D4	D5	H	H2	L1	L2	L3
06288-0100X06	06288-1100X10	1	100	-/10 H8	29	22	20	6/ -	12/ -	8	29,5	19	39
06288-0125X08	06288-1125X12	2	125	-/12 H8	34	26	21	8/ -	15/ -	8	34	24	46
06288-0140X08	06288-1140X14	3	140	-/14 H8	39	30	25	8/ -	16/ -	8	38,5	27	52
06288-0160X10	06288-1160X16	4	160	-/16 H8	43	33	30	10/ -	20/ -	8	41,3	30,1	57
-	06288-1160X18	4	160	18 H8	43	33	30	-	-	8	41,3	30,1	57

## Disc handwheels without taper grip, bush in steel

Order No. Form D	Order No. Form E	Size	D	D1	D2	D3	D4	D5	H	H2	L1	L2	L3
06288-2100X06	06288-3100X10	1	100	-/10 H7	29	22	20	6/ -	12/ -	8	29,5	19	39
06288-2125X08	06288-3125X12	2	125	-/12 H7	34	26	21	8/ -	15/ -	8	34	24	46
06288-2140X08	06288-3140X14	3	140	-/14 H7	39	30	25	8/ -	16/ -	8	38,5	27	52
06288-2160X10	06288-3160X16	4	160	-/16 H7	43	33	30	10/ -	20/ -	8	41,3	30,1	57
-	06288-3160X18	4	160	18 H7	43	33	30	-	-	8	41,3	30,1	57