

Revolving taper grips


Material:

Black duroplastic PF 31.

Axle and threaded bush in galvanized steel or in stainless steel, natural finish.

Surface finish:

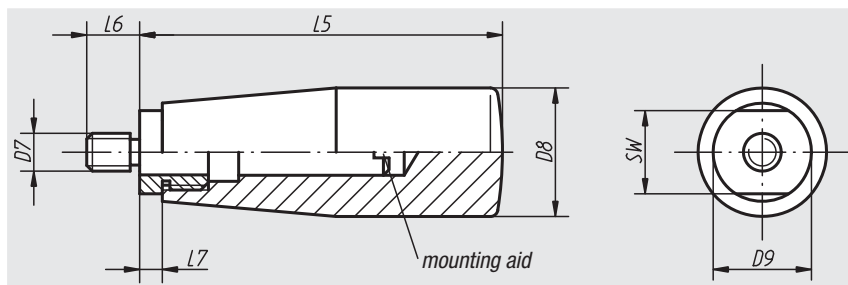
Deburred and high-polish finish.

Sample order:

nIm 06316-105007

Note:

In order to assemble, unscrew the axle.



| Order No. axle in steel | Order No. axle in stainless steel | Size | D7 | D8 | D9 | L5 | L6 | L7 | SW |
|----------------------------|--------------------------------------|------|-----|----|----|----|----|----|----|
| 06316-105007 | 06316-1105007 | 1 | M5 | 17 | 15 | 51 | 7 | 5 | 13 |
| 06316-206008 | 06316-1206008 | 2 | M6 | 23 | 18 | 68 | 8 | 6 | 16 |
| 06316-208009 | 06316-1208009 | 2 | M8 | 23 | 18 | 68 | 9 | 6 | 16 |
| 06316-310011 | 06316-1310011 | 3 | M10 | 28 | 21 | 77 | 11 | 7 | 19 |

Revolving taper grips


Material:

Duroplastic PF 31, black.

Axle steel, nickel-plated or stainless steel 1.4305, natural finish.

Snap ring in stainless steel 1.4310.

Surface finish:

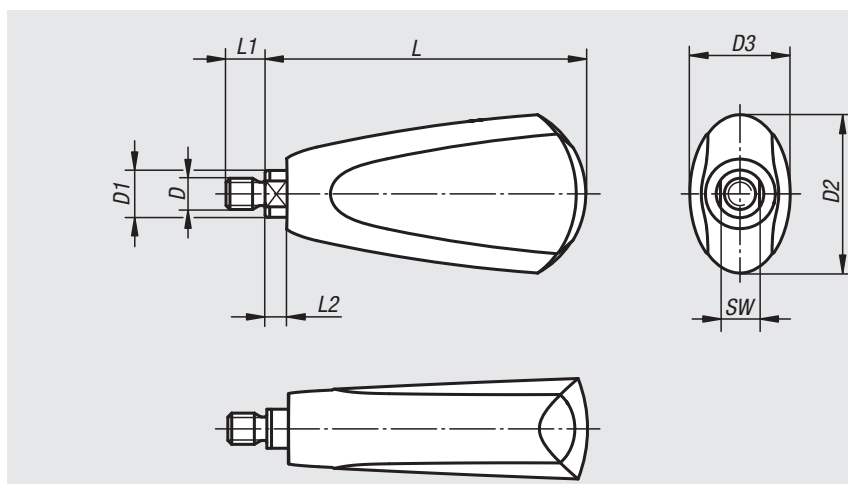
Deburred and high-polish finish.

Sample order:

nIm 06316-106009

Note:

The grips are suitable for disc handwheels with revolving taper grip 06287.



| Order No. axle in steel | Order No. axle in stainless steel | Size | D | D1 | D2 | D3 | L | L1 | L2 | SW |
|----------------------------|--------------------------------------|------|----|----|----|----|------|----|-----|----|
| 06316-106009 | 06316-1106009 | 1 | M6 | 8 | 25 | 18 | 54,7 | 9 | 4,5 | 7 |
| 06316-208010 | 06316-1208010 | 2 | M8 | 12 | 41 | 26 | 82,2 | 10 | 5,5 | 10 |