

Taper grips



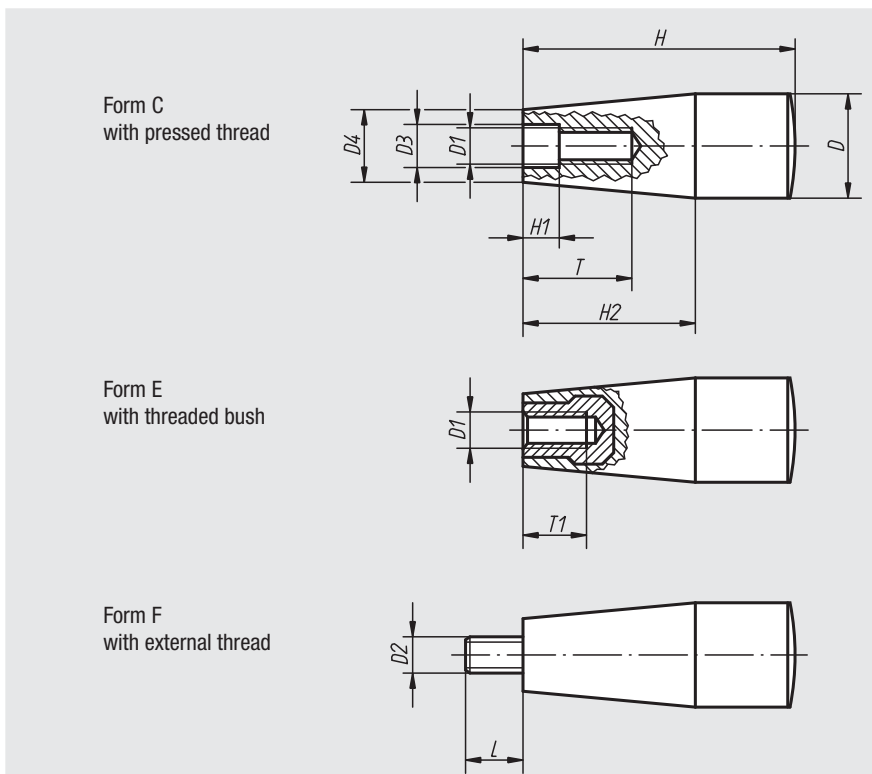
Material:
Duroplastic PF 31, black.
Bush and stud in galvanized steel.

Surface finish:
Deburred and high-polish finish.

Sample order:
nlm 06320-106

Note:
The versions 06320-205 and 06320-206 have a bush in brass.
The versions 06320-208 and 06320-2081 have a bush in copper-plated steel.

On request:
Other colours.



Taper grips with internal thread

Order No.	Form	D	D1	D3	D4	H	H1	H2	T	T1
06320-106	C	17	M6	6,2	15	45	2	26	14	-
06320-108	C	17	M8	8,2	13	45	2	26	16	-
06320-1081	C	23	M8	8,5	18	61	2	38	24	-
06320-110	C	29	M10	10,5	21	71	3,5	42	28	-
06320-205	E	17	M5	-	15	45	-	26	-	10
06320-206	E	17	M6	-	15	45	-	26	-	9
06320-208	E	23	M8	-	18	61	-	38	-	14
06320-2081	E	28	M8	-	21	71	-	42	-	14

Taper grips with external thread

Order No.	Form	D	D2	D4	H	H2	L
06320-306	F	17	M6	15	45	26	18
06320-308	F	23	M8	18	61	38	12
06320-310	F	29	M10	21	71	42	20