

Tension levers 20°

DIN 99

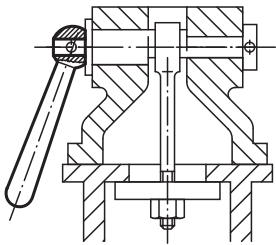
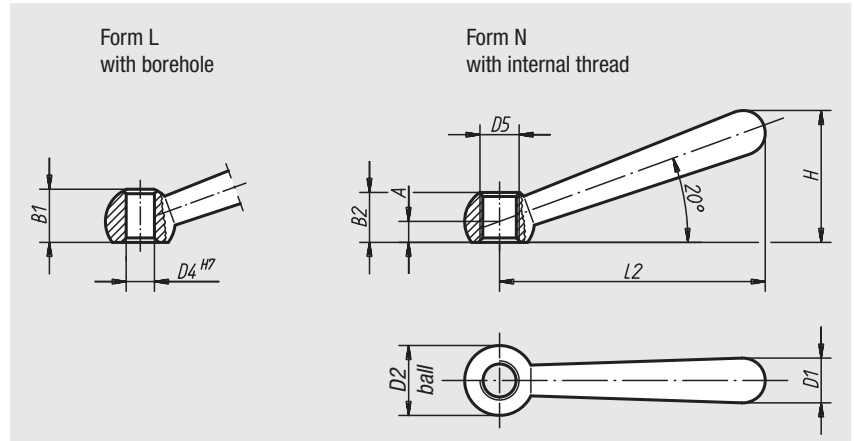


Material:
Steel

Surface finish:
Polished

Sample order:
nlm 06330-212

Note:
To fix the lever to another element, gluing is more cost-effective than pinning.



Order No. Form L	Order No. Form N	A	D4	D5	B1	B2	D1	D2 ball	L2	H
06330-106	06330-206	4	6/-	-/M6	9,5/-	-/9,5	8	12	48	24
06330-108	06330-208	5	8/-	-/M8	12/-	-/12	10	16	60	30,5
06330-110	06330-210	6	10/-	-/M10	14,5/-	-/14,5	13	20	76	38
06330-112	06330-212	7,5	12/-	-/M12	18,5/-	-/18,5	16	25	95	47
06330-116	06330-216	10	16/-	-/M16	24/-	-/24	20	32	119	59,5
06330-120	06330-220	12,5	20/-	-/M20	30/-	-/30	25	40	152	75,5

01000
02000
03000
04000
05000
06000
07000
08000
09000
20000
21000
22000
23000