

# Flat control handles



**Material:**  
Steel parts quality class 5.8;  
black ball knob in duroplastic PF 31

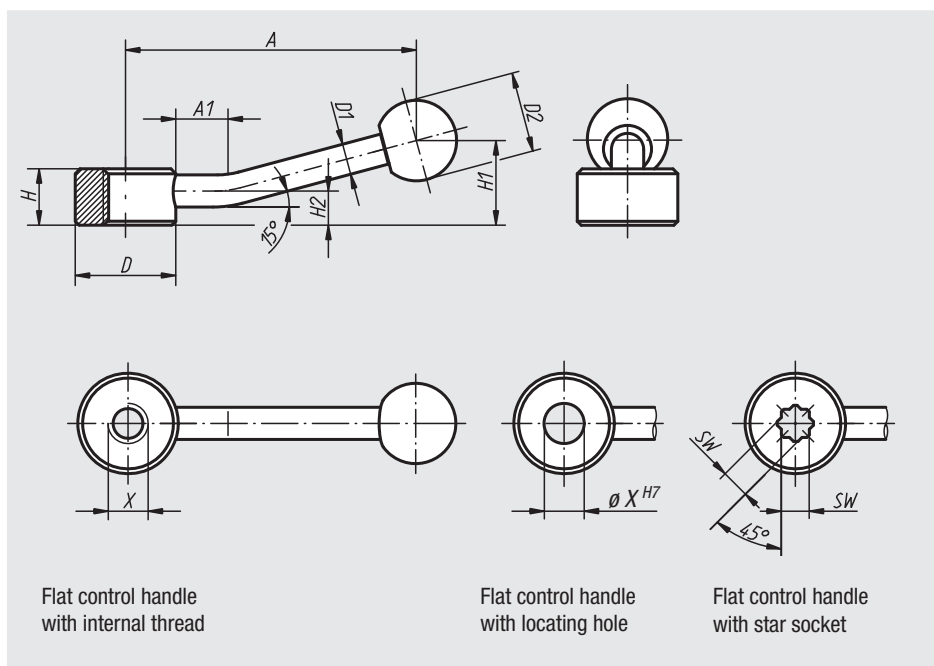
**Surface finish:**  
Black oxide finish

**Sample order:**  
nlm 06342-206

**Note:**  
Flat control handles can be used for simple clamping applications and switching operations. Generally there must be enough space so that the handle can be turned 360°.

The version with star socket is designed to allow turning in steps of 45°.

**On request:**  
Other internal threads, locating holes and star sockets.  
Dimension „A“ available in other lengths at extra charge.



Order No.	Surface finish	Size	X	D	D1	D2	H	H1	H2	A	A1	Approx. weight g
06342-206	internal thread	1	M6	25	8	20	14	22	8,5	75	15	81
06342-208	internal thread	1	M8	25	8	20	14	22	8,5	75	15	78
06342-210	internal thread	1	M10	25	8	20	14	22	8,5	75	15	76
06342-212	internal thread	2	M12	33	10	25	17	27	10	100	15	156
06342-216	internal thread	2	M16	33	10	25	17	27	10	100	15	144
06342-220	internal thread	3	M20	41	12	30	20	36	11,5	128	15	258
06342-224	internal thread	3	M24	41	12	30	20	36	11,5	128	15	246

Order No.	Surface finish	Size	X	D	D1	D2	H	H1	H2	A	A1	Approx. weight g
06342-106	locating hole	1	6	25	8	20	14	22	8,5	75	15	80
06342-108	locating hole	1	8	25	8	20	14	22	8,5	75	15	78
06342-110	locating hole	1	10	25	8	20	14	22	8,5	75	15	75
06342-112	locating hole	2	12	33	10	25	17	27	10	100	15	152
06342-116	locating hole	2	16	33	10	25	17	27	10	100	15	140
06342-120	locating hole	3	20	41	12	30	20	36	11,5	128	15	248
06342-124	locating hole	3	24	41	12	30	20	36	11,5	128	15	238

Order No.	Surface finish	Size	SW	D	D1	D2	H	H1	H2	A	A1	Approx. weight g
06342-305	star socket	1	5,5	25	8	20	14	22	8,5	75	15	79
06342-307	star socket	1	7	25	8	20	14	22	8,5	75	15	77
06342-309	star socket	2	9	33	10	25	17	27	10	100	15	154
06342-311	star socket	2	11	33	10	25	17	27	10	100	15	149
06342-314	star socket	3	14	41	12	30	20	36	11,5	128	15	273
06342-319	star socket	3	19	41	12	30	20	36	11,5	128	15	245