

Screw-in handles

with adjustable torque



Material:

Tempered steel

Surface finish:

Hardened and black oxide finish

Sample order:

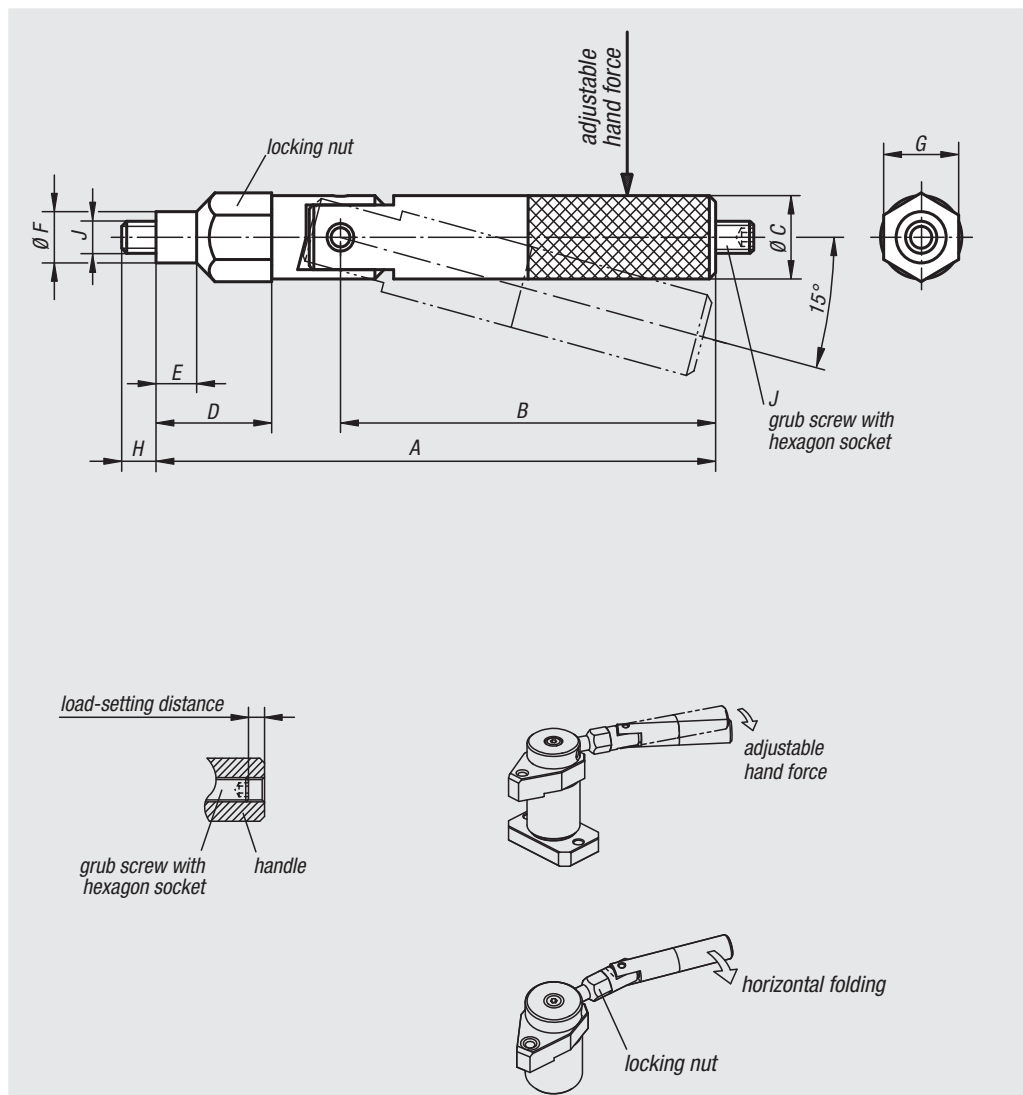
nIm 06357-05090

Note:

Changing the position of the grub screw with hexagon socket allows adjusting the disengagement torque to set a desired clamping force. The clamping force is reached when the handle folds approximately 15°.

Remark:

Ensure that the handle is set to fold horizontally.



Order No.	A	B	C	D	E	F	G	H	J	K	Hand force N	Approx. weight kg
06357-05090	89,5	60	13	18,5	6,5	8	12	5,5	M5	M5x16	0-150	0,090
06357-06119	119	84	15	23	8	10	14	6,5	M6	M6x20	0-200	0,140