

Clamp hubs


Material, surface finish:

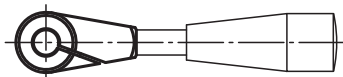
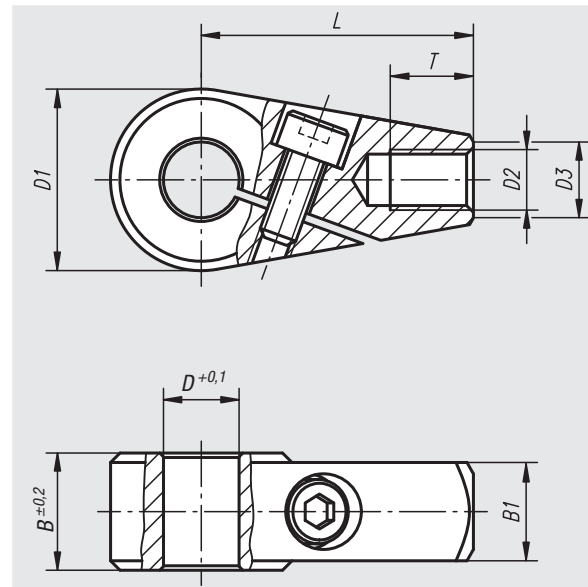
Tempered steel 1.1206, black oxide finish.

Sample order:

nln 06362-1012

Note:

Clamp hubs can be quickly and easily attached to shafts, adjusted in the proper operating position and then locked. For secure transmission of torque, shaft tolerance should not exceed h11. At fastening thread (D2), handles can be screwed on.



Order No.	D	D1	D2	D3	B	B1	L	T	Approx. weight kg
06362-0810	10	24	M8	10	15,5	13	36	11	0,078
06362-0812	12	24	M8	10	15,5	13	36	11	0,074
06362-1012	12	28	M10	12	17,5	15	41	14	0,118
06362-1014	14	28	M10	12	17,5	15	41	14	0,113
06362-1214	14	32	M12	14	19,5	17	45	16	0,169
06362-1216	16	32	M12	14	19,5	17	45	16	0,162