

# Tension levers in stainless steel

with internal thread

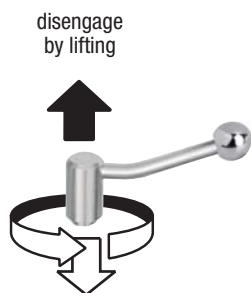
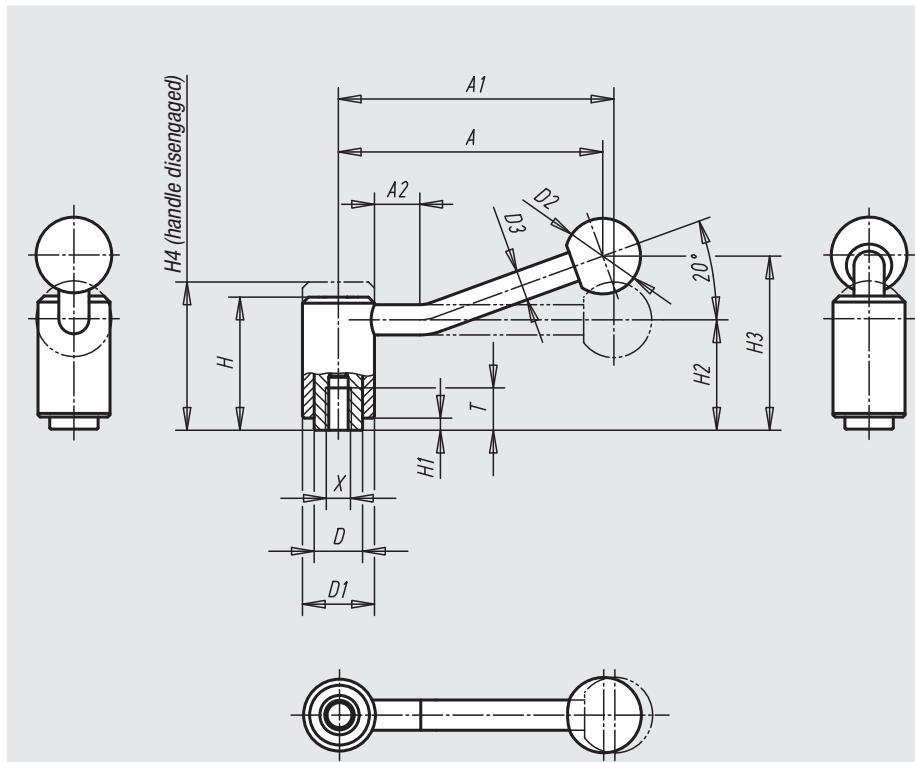


**Material:**  
Steel parts in stainless steel, 1.4305,  
black plastic ball knob

**Surface finish:**  
Steel parts natural finish.  
Ball knob polished.

**Sample order:**  
nlm 06371-1082

**On request:**  
Other internal threads and special versions.  
Dimensions „H1“, „A“ and „A1“ available in other lengths  
at extra charge.



Order No. 0 degree	Order No. 20 degrees	Size	Internal thread X	T	D	D1	D2	D3	H	H1	H2	H3	H4	A	A1	A2	No. of teeth
06371-1082	06371-1081	1	M8	14	16	24	25	10	44,5	4,5	37	-/58,5	49,5	-/88	92/ -	-/15	22
06371-1102	06371-1101	1	M10	14	16	24	25	10	44,5	4,5	37	-/58,5	49,5	-/88	92/ -	-/15	22
06371-2102	06371-2101	2	M10	17	19	28	32	12	51,5	5,5	42	-/68,5	57,5	-/106	111/ -	-/15	24
06371-2122	06371-2121	2	M12	17	19	28	32	12	51,5	5,5	42	-/68,5	57,5	-/106	111/ -	-/15	24
06371-3122	06371-3121	3	M12	23	23	33	32	13	58	6	47	-/81	65	-/128,5	134,5/ -	-/15	26
06371-3162	06371-3161	3	M16	23	23	33	32	13	58	6	47	-/81	65	-/128,5	134,5/ -	-/15	26
06371-4162	06371-4161	4	M16	27	30	41	32	13	68,5	7,5	56,5	-/89,5	76,5	-/128,5	134/ -	-/15	36
06371-4202	06371-4201	4	M20	27	30	41	32	13	68,5	7,5	56,5	-/89,5	76,5	-/128,5	134/ -	-/15	36

01000  
02000  
03000  
04000  
05000  
06000  
07000  
08000  
09000  
20000  
21000  
22000  
23000