

Tension levers

with external thread



Material:

Steel parts quality class 5.8,
black plastic ball knob

Surface finish:

Plastic-coated with fine texture, black

Sample order:

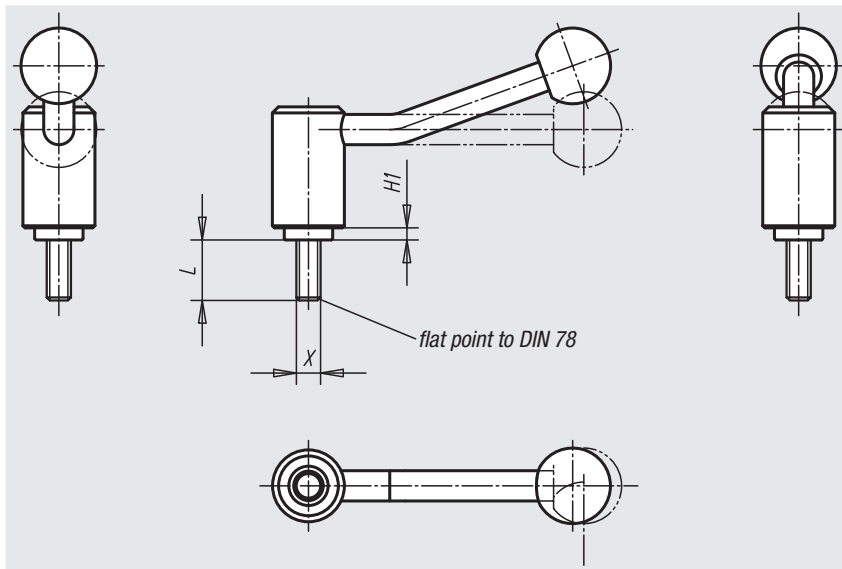
nIm 06380-1082X30 (please also indicate dimension L)

Note:

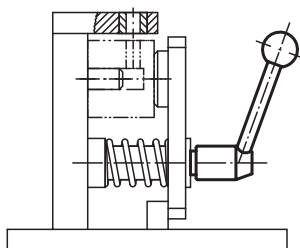
Missing dimensions see 06370.

On request:

Other external threads, screw lengths and special versions.
Dimensions „H1“, „A“ and „A1“ available in other lengths
at extra charge.



example:



Order No. 0 degree	Order No. 20 degrees	Size	External thread X	H1	L = screw length
06380-1082X	06380-1081X	1	M8	4,5	15/20/25/30/40/50/60
06380-1102X	06380-1101X	1	M10	4,5	15/20/25/30/40/50/60
06380-1122X	06380-1121X	1	M12	4,5	15/20/25/30/40/50/60
06380-2122X	06380-2121X	2	M12	5,5	20/25/30/40/50/60
06380-3122X	06380-3121X	3	M12	6	20/25/30/40/50/60/70/80/90
06380-3162X	06380-3161X	3	M16	6	20/25/30/40/50/60/70/80/90
06380-4162X	06380-4161X	4	M16	7,5	30/40/50/60/70/80/90
06380-4202X	06380-4201X	4	M20	7,5	30/40/50/60/70/80/90
06380-4242X	06380-4241X	4	M24	7,5	30/40/50/60/70/80/90