

# Flat tension levers in stainless steel

with internal thread

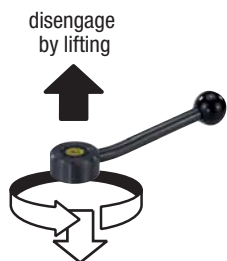
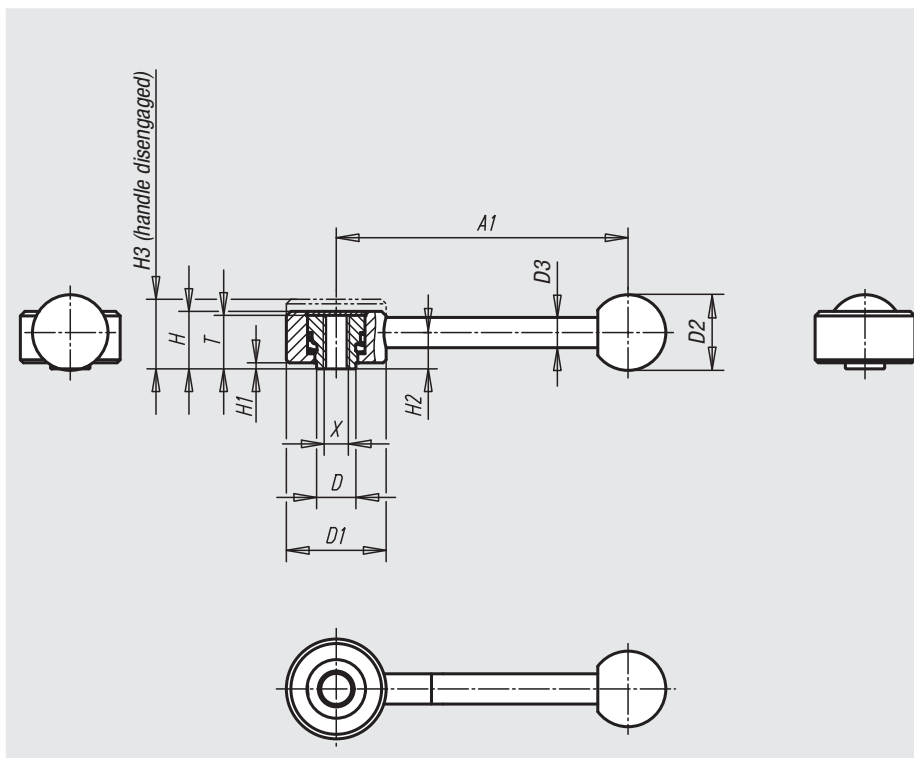


**Material:**  
Steel parts in stainless steel, 1.4305,  
black plastic ball knob.

**Surface finish:**  
Steel parts natural finish.

**Sample order:**  
nIm 06391-1081

**Note:**  
Other internal threads and special versions. Dimensions  
„H1“, „A“ and „A1“ available in other lengths at extra  
charge.



Order No.	Size	Internal thread X	T	D	D1	D2	D3	H	H1	H2	H3	A1	No. of teeth	Approx. weight kg
06391-1081	1	M8	18	13,5	33	25	10	19	2	12	23	102	26	0,16
06391-2101	2	M10	21	19	41	30	12	22	2	13,5	26	131	30	0,29
06391-2121	2	M12	21	19	41	30	12	22	2	13,5	26	131	30	0,29
06391-3161	3	M16	27	23	45	37	14	28	2	17	33	148	36	0,45

01000  
02000  
03000  
04000  
05000  
06000  
07000  
08000  
09000  
20000  
21000  
22000  
23000