

Flat tension levers

with external thread



Material:

Steel parts quality class 5.8,
black plastic ball knob

Surface finish:

Black oxide finish

Sample order:

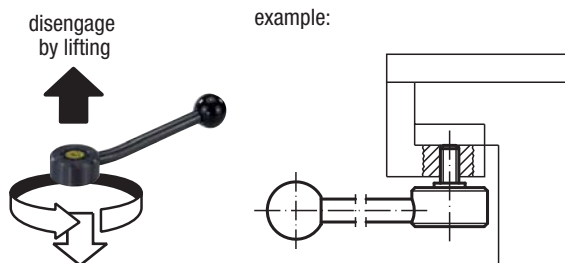
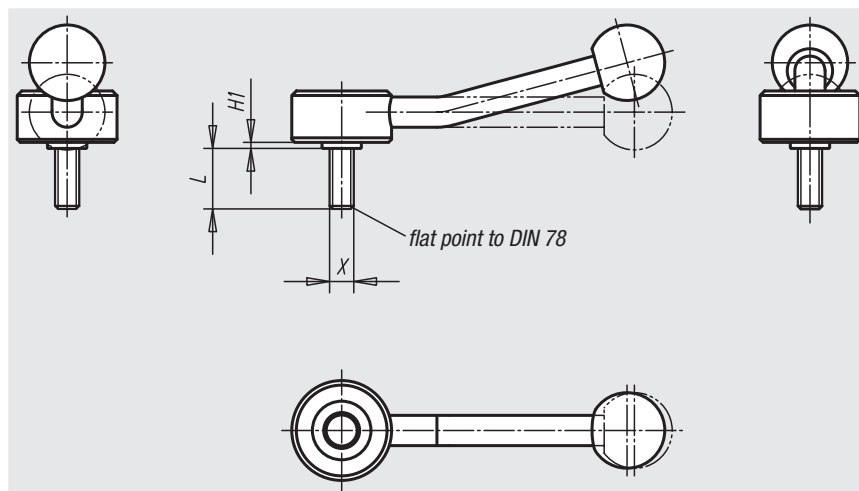
nIm 06400-1081X30 (please also indicate dimension L)

Note:

Missing dimensions see flat tension levers with internal thread.

On request:

Other external threads, screw lengths and special versions.
Dimensions „H1“, „A“ and „A1“ available in other lengths
at extra charge.



Order No. 0 degree	Order No. 15 degrees	Size	External thread X	H1	L = screw length
06400-1081X	06400-1082X	1	M8	2	15/20/25/30/40/50/60
06400-1101X	06400-1102X	1	M10	2	15/20/25/30/40/50/60
06400-2101X	06400-2102X	2	M10	2	20/25/30/40/50/60
06400-2121X	06400-2122X	2	M12	2	20/25/30/40/50/60
06400-3121X	06400-3122X	3	M12	2	20/25/30/40/50/60
06400-3161X	06400-3162X	3	M16	2	20/25/30/40/50/60