

Clamp levers

with internal thread



Material:

Handle in die cast zinc to DIN 1743, steel parts quality class 5.8

Surface finish:

Handle plastic-coated, steel parts black oxide finish

Sample order:

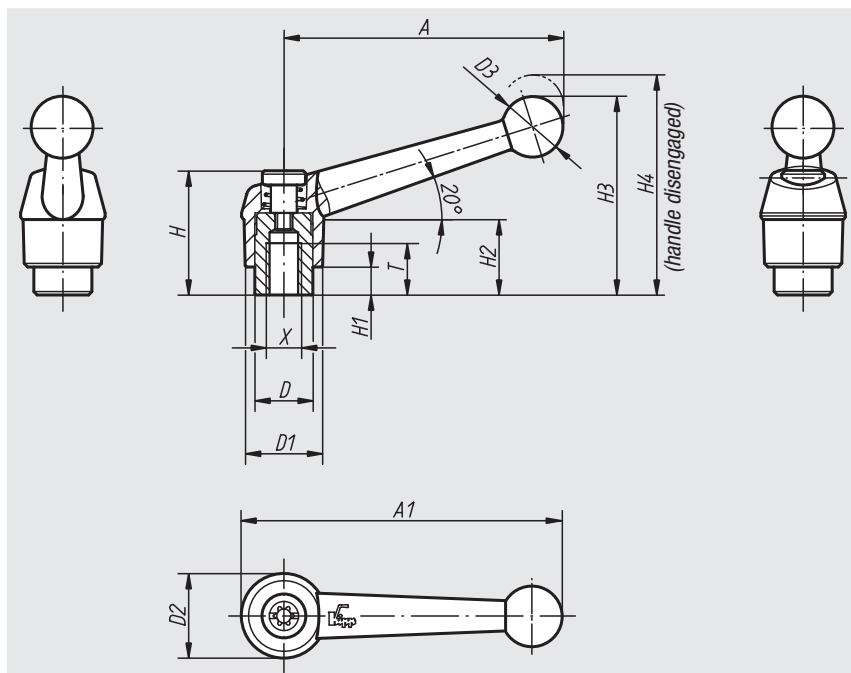
nIm 06410-4103

Note:

Standard colours are: black satin finish, silver metallic.

On request:

Other internal threads, colours and special versions. Dimension „H1“ available in other lengths at extra charge.



disengage
by lifting



Order No. black satin finish	Order No. silver metallic	Size	Internal thread X	T	D	D1	D2	D3	H	H1	H2	H3	H4	A	A1	No. of teeth
06410-1041	06410-1043	1	M4	9	10	13	14	10,5	24,5	4	15	32,5	35,5	39	46	16
06410-1051	06410-1053	1	M5	9	10	13	14	10,5	24,5	4	15	32,5	35,5	39	46	16
06410-1061	06410-1063	1	M6	9	10	13	14	10,5	24,5	4	15	32,5	35,5	39	46	16
06410-2061	06410-2063	2	M6	12	13,5	18	18,5	15,5	28,5	6,5	16,5	45,5	49,5	64	73	20
06410-2081	06410-2083	2	M8	12	13,5	18	18,5	15,5	28,5	6,5	16,5	45,5	49,5	64	73	20
06410-3081	06410-3083	3	M8	14	16	21	22	17	37	10	23	57,5	61,5	79	90	22
06410-3101	06410-3103	3	M10	14	16	21	22	17	37	10	23	57,5	61,5	79	90	22
06410-4101	06410-4103	4	M10	17	19	25	26	19	42,5	10	26	67	72	95	108	24
06410-4121	06410-4123	4	M12	17	19	25	26	19	42,5	10	26	67	72	95	108	24
06410-5121	06410-5123	5	M12	23	23	30	31	22	49	12	32	79	84	110	126	26
06410-5161	06410-5163	5	M16	23	23	30	31	22	49	12	32	79	84	110	126	26