

# Clamp levers

with internal thread, steel parts in stainless steel



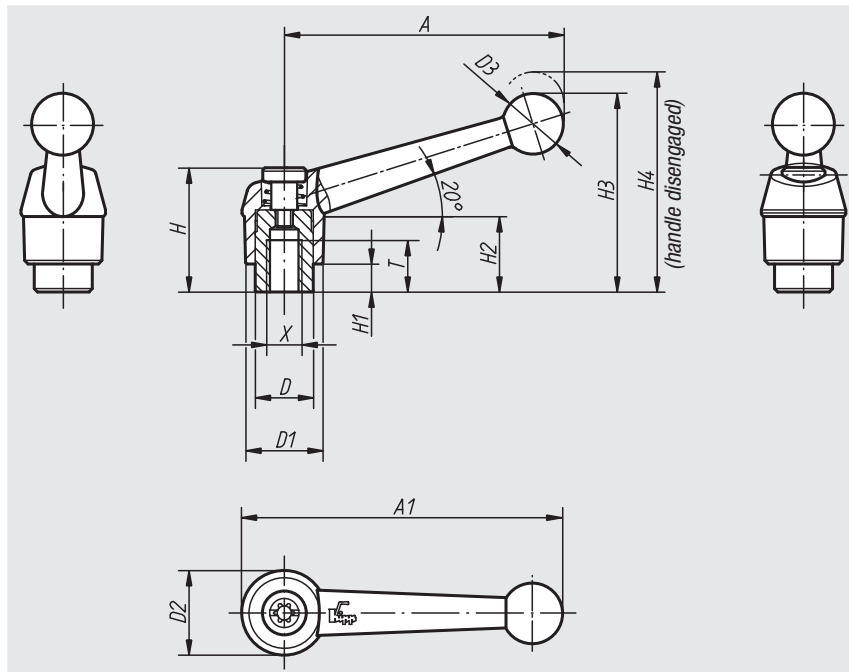
**Material:**  
Handle in die cast zinc to DIN 1743,  
steel parts in stainless steel 1.4305

**Surface finish:**  
Handle plastic-coated,  
steel parts natural finish

**Sample order:**  
nlm 06411-2061

**Note:**  
Standard colours are:  
black satin finish, silver metallic.

**On request:**  
Other internal threads, colours and special versions.  
Dimension „H1“ available in other lengths at extra charge.



disengage  
by lifting



Order No. black satin finish	Order No. silver metallic	Size	Internal thread X	T	D	D1	D2	D3	H	H1	H2	H3	H4	A	A1	No. of teeth
06411-1041	06411-1043	1	M4	9	10	13	14	10,5	24,5	4	15	32,5	35,5	39	46	16
06411-1051	06411-1053	1	M5	9	10	13	14	10,5	24,5	4	15	32,5	35,5	39	46	16
06411-1061	06411-1063	1	M6	9	10	13	14	10,5	24,5	4	15	32,5	35,5	39	46	16
06411-2061	06411-2063	2	M6	12	13,5	18	18,5	15,5	28,5	6,5	16,5	45,5	49,5	64	73	20
06411-2081	06411-2083	2	M8	12	13,5	18	18,5	15,5	28,5	6,5	16,5	45,5	49,5	64	73	20
06411-3081	06411-3083	3	M8	14	16	21	22	17	37	10	23	57,5	61,5	79	90	22
06411-3101	06411-3103	3	M10	14	16	21	22	17	37	10	23	57,5	61,5	79	90	22
06411-4101	06411-4103	4	M10	17	19	25	26	19	42,5	10	26	67	72	95	108	24
06411-4121	06411-4123	4	M12	17	19	25	26	19	42,5	10	26	67	72	95	108	24
06411-5121	06411-5123	5	M12	23	23	30	31	22	49	12	32	79	84	110	126	26
06411-5161	06411-5163	5	M16	23	23	30	31	22	49	12	32	79	84	110	126	26

01000  
02000  
03000  
04000  
05000  
06000  
07000  
08000  
09000  
20000  
21000  
22000  
23000