

Clamp levers

with external thread, steel



Material:

Handle in die cast zinc to DIN 1743;
steel parts quality class 5.8

Surface finish:

Handle plastic-coated;
steel black oxide finish

Sample order:

nIm 06430-1051X20 (please also indicate dimension L)

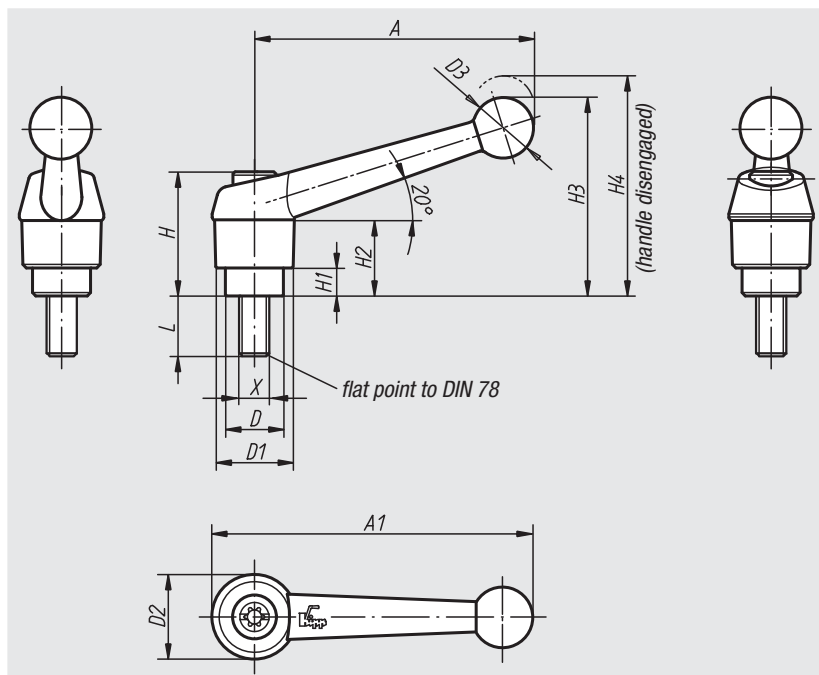
Note:

Standard colours are:
black satin finish, silver metallic.

On request:

Other external threads, screw lengths, colours and special versions.

Dimension „H1“ available in other lengths at extra charge.



Technical data

Size	External thread X	D	D1	D2	D3	H	H1	H2	H3	H4	A	A1	No. of teeth
1	M5/M6	10	13	14	10,5	24,5	4	15	32,5	35,5	39	46	16
2	M6/M8/M10	13,5	18	18,5	15,5	28,5	6,5	16,5	45,5	49,5	64	73	20
3	M8/M10	16	21	22	17	37	10	23	57,5	61,5	79	90	22
4	M10/M12	19	25	26	19	42,5	10	26	67	72	95	108	24
5	M12/M16	23	30	31	22	49	12	32	79	84	110	126	26

Order No. black satin finish	Order No. silver metallic	Size	External thread X	L = screw length
06430-1051X	06430-1053X	1	M5	10/15/20/25/30/35/40/45/50
06430-1061X	06430-1063X	1	M6	10/15/20/25/30/35/40/45/50
06430-2061X	06430-2063X	2	M6	15/20/25/30/35/40/45/50/55/60
06430-2081X	06430-2083X	2	M8	15/20/25/30/35/40/45/50/55/60
06430-2101X	06430-2103X	2	M10	15/20/25/30/35/40/45/50/55/60
06430-3081X	06430-3083X	3	M8	15/20/25/30/35/40/45/50/55/60
06430-3101X	06430-3103X	3	M10	15/20/25/30/35/40/45/50/55/60
06430-4101X	06430-4103X	4	M10	20/25/30/35/40/45/50/55/60/70/80/90
06430-4121X	06430-4123X	4	M12	20/25/30/35/40/45/50/55/60/70/80/90
06430-5121X	06430-5123X	5	M12	25/30/35/40/45/50/55/60/70/80/90
06430-5161X	06430-5163X	5	M16	25/30/35/40/45/50/55/60/70/80/90