

# Clamp levers

with external thread, steel parts in stainless steel



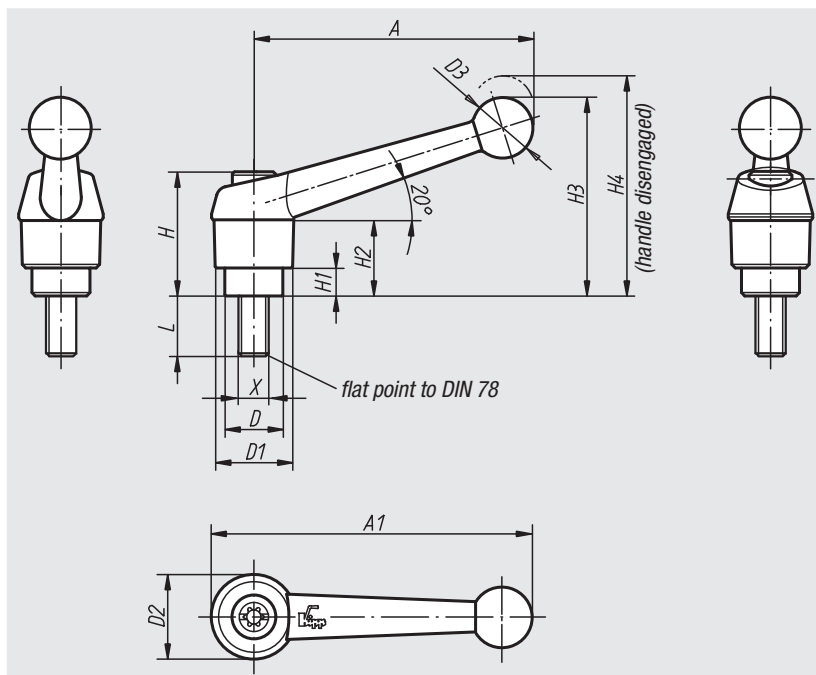
**Material:**  
Handle in die cast zinc to DIN 1743;  
steel parts in stainless steel 1.4305

**Surface finish:**  
Handle plastic-coated;  
stainless steel natural finish

**Sample order:**  
nlm 06431-1051X20 (please also indicate dimension L)

**Note:**  
Standard colours are:  
black satin finish, silver metallic.

**On request:**  
Other external threads, screw lengths, colours and special versions.  
Dimension „H1“ available in other lengths at extra charge.



## Technical data

Size	External thread X	D	D1	D2	D3	H	H1	H2	H3	H4	A	A1	No. of teeth
1	M5/M6	10	13	14	10,5	24,5	4	15	32,5	35,5	39	46	16
2	M6/M8/M10	13,5	18	18,5	15,5	28,5	6,5	16,5	45,5	49,5	64	73	20
3	M8/M10	16	21	22	17	37	10	23	57,5	61,5	79	90	22
4	M12	19	25	26	19	42,5	10	26	67	72	95	108	24
5	M16	23	30	31	22	49	12	32	79	84	110	126	26

Order No. black satin finish	Order No. silver metallic	Size	External thread X	L = screw length
06431-1051X	06431-1053X	1	M5	10/15/20/25
06431-1061X	06431-1063X	1	M6	10/15/20/25/30/40/50
06431-2061X	06431-2063X	2	M6	15/20/25/30/40/50/60
06431-2081X	06431-2083X	2	M8	15/20/25/30/40/50/60
06431-2101X	06431-2103X	2	M10	20/25/30/40/50/60
06431-3081X	06431-3083X	3	M8	20/25/30/40/50/60
06431-3101X	06431-3103X	3	M10	20/25/30/40/50/60
06431-4121X	06431-4123X	4	M12	25/30/40/50/60
06431-5161X	06431-5163X	5	M16	30/40/50/60

01000  
02000  
03000  
04000  
05000  
06000  
07000  
08000  
09000  
20000  
21000  
22000  
23000