

# Steel clamp levers

with internal thread



### Material:

Handle in 1.0401; all other steel parts quality class 5.8

### Surface finish:

Handle painted silver-grey with hammertone finish, steel parts black oxide finish.

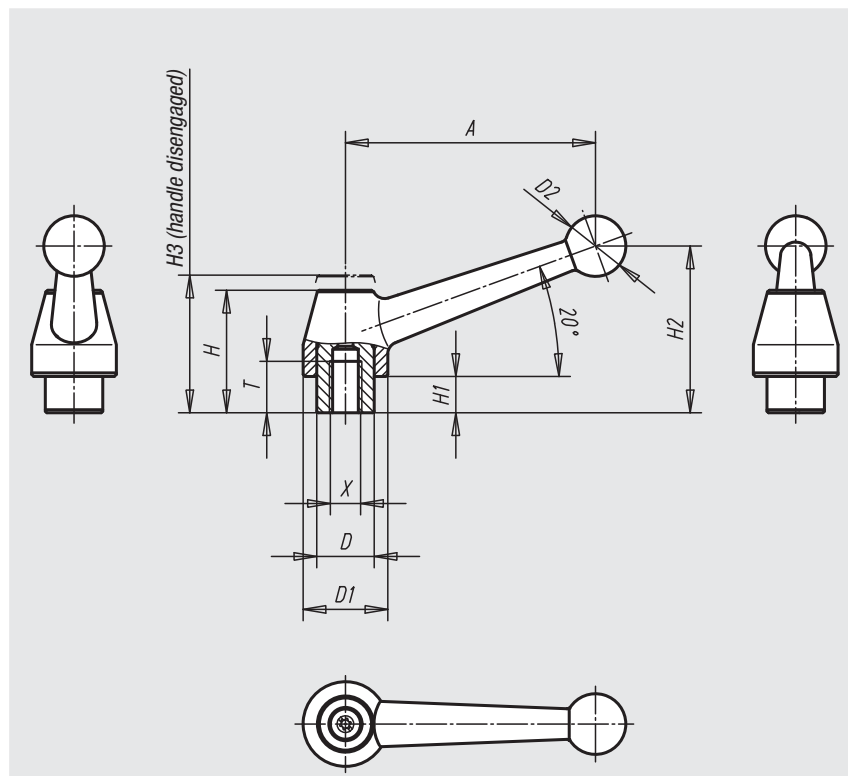
### Sample order:

nIm 06440-108

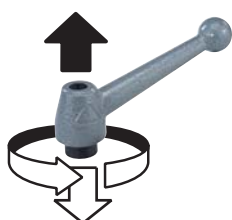
### On request:

Other internal threads and special versions.

Dimension „H1“ available in other lengths at extra charge.



disengage  
by lifting



Order No.	Surface finish	Size	Internal thread X	T	D	D1	D2	H	H1	H2	H3	A	No. of teeth	Approx. weight kg
06440-108	steel silver-grey	1	M8	17	19	28	20	41	12	54	49	83	24	0,230
06440-110	steel silver-grey	1	M10	17	19	28	20	41	12	54	49	83	24	0,230
06440-112	steel silver-grey	1	M12	17	19	28	20	41	12	54	49	83	24	0,230
06440-212	steel silver-grey	2	M12	23	23	35	25	50	12	69	56	108	26	0,440
06440-216	steel silver-grey	2	M16	23	23	35	25	50	12	69	56	108	26	0,440
06440-316	steel silver-grey	3	M16	27	30	43	30	58,5	12	78	65	132	36	0,730
06440-320	steel silver-grey	3	M20	27	30	43	30	58,5	12	78	65	132	36	0,730