

Clamp levers in stainless steel

with external thread



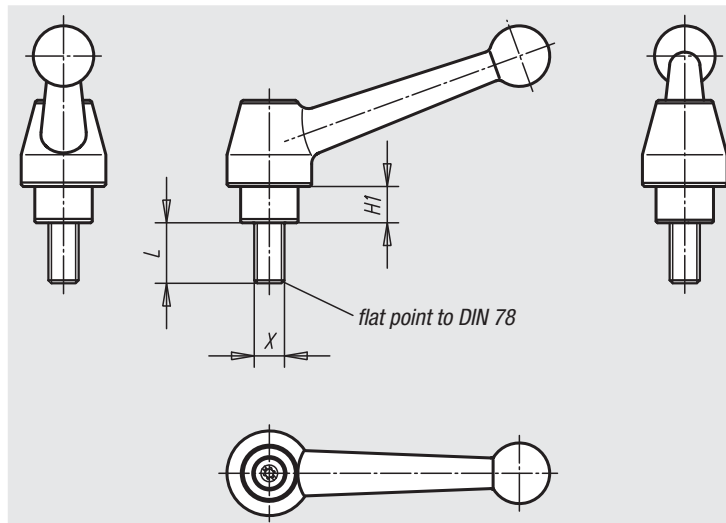
Material:
Handle in stainless steel 1.4308;
all other steel parts in stainless steel 1.4305

Surface finish:
Handle in stainless steel electrolytic-polish, steel parts natural finish

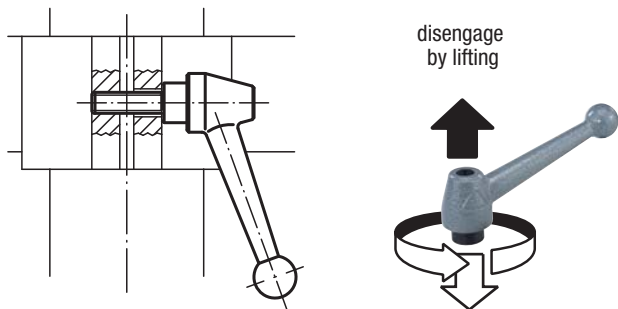
Sample order:
nlm 06441-1110X30 (please also indicate dimension L)

Note:
For other dimensions see clamp levers with female threads.

On request:
Other external threads, screw lengths and special versions.
Dimension „H1“ available in other lengths at extra charge.



example:



Order No.	Surface finish	Size	External thread X	H1	L = screw length
06441-1110X	stainless steel electrolytic-polish	1	M10	12	25/30/40/50/60
06441-1112X	stainless steel electrolytic-polish	1	M12	12	25/30/40/50/60

01000
02000
03000
04000
05000
06000
07000
08000
09000
20000
21000
22000
23000