

## Clamp levers

with internal thread



**Material:**

Handle in die cast zinc to DIN 1743, steel parts quality class 5.8

**Surface finish:**

Handle plastic-coated, steel parts black oxide finish

**Sample order:**

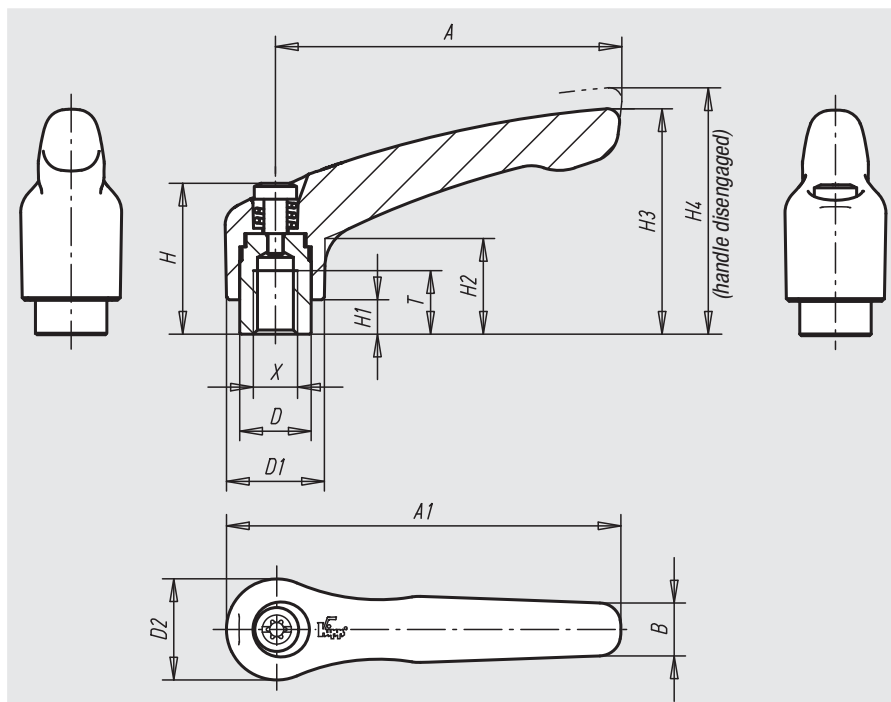
nIm 06450-1041

**Note:**

Standard colours are: black satin finish, orange RAL 2004.

**On request:**

Other internal threads, colours and special versions. Dimension „H1“ available in other lengths at extra charge.



disengage by lifting



Order No. black satin finish	Order No. orange	Size	Internal thread X	T	D	D1	D2	H	H1	H2	H3	H4	A	A1	B	No. of teeth	Approx. weight kg
06450-0031	06450-0032	0	M3	9	10	13	14	24,5	4	14,5	30	33	30	37	7	16	0,036
06450-0041	06450-0042	0	M4	9	10	13	14	24,5	4	14,5	30	33	30	37	7	16	0,036
06450-0051	06450-0052	0	M5	9	10	13	14	24,5	4	14,5	30	33	30	37	7	16	0,036
06450-1041	06450-1042	1	M4	9	10	13	14	24,5	4	14,5	31	34	40	47	7	16	0,040
06450-1051	06450-1052	1	M5	9	10	13	14	24,5	4	14,5	31	34	40	47	7	16	0,040
06450-1061	06450-1062	1	M6	9	10	13	14	24,5	4	14,5	31	34	40	47	7	16	0,040
06450-2061	06450-2062	2	M6	12	13,5	18,5	19	28,5	6,5	17,5	42,5	45,5	65	74,5	9,5	20	0,090
06450-2081	06450-2082	2	M8	12	13,5	18,5	19	28,5	6,5	17,5	42,5	45,5	65	74,5	9,5	20	0,090
06450-3081	06450-3082	3	M8	14	16	21	22	37	10	24	54,5	58,5	80	91	11	22	0,130
06450-3101	06450-3102	3	M10	14	16	21	22	37	10	24	54,5	58,5	80	91	11	22	0,130
06450-4101	06450-4102	4	M10	17	19	27	27,5	43	10	27	63	67,5	95	109	13	24	0,210
06450-4121	06450-4122	4	M12	17	19	27	27,5	43	10	27	63	67,5	95	109	13	24	0,210
06450-5121	06450-5122	5	M12	23	23	31	32	49	12	31,5	73	77,5	110	126	15	26	0,330
06450-5161	06450-5162	5	M16	23	23	31	32	49	12	31,5	73	77,5	110	126	15	26	0,330