

Clamp levers in stainless steel

with internal thread



Material:

Handle in precision cast 1.4308,
other steel parts 1.4305

Surface finish:

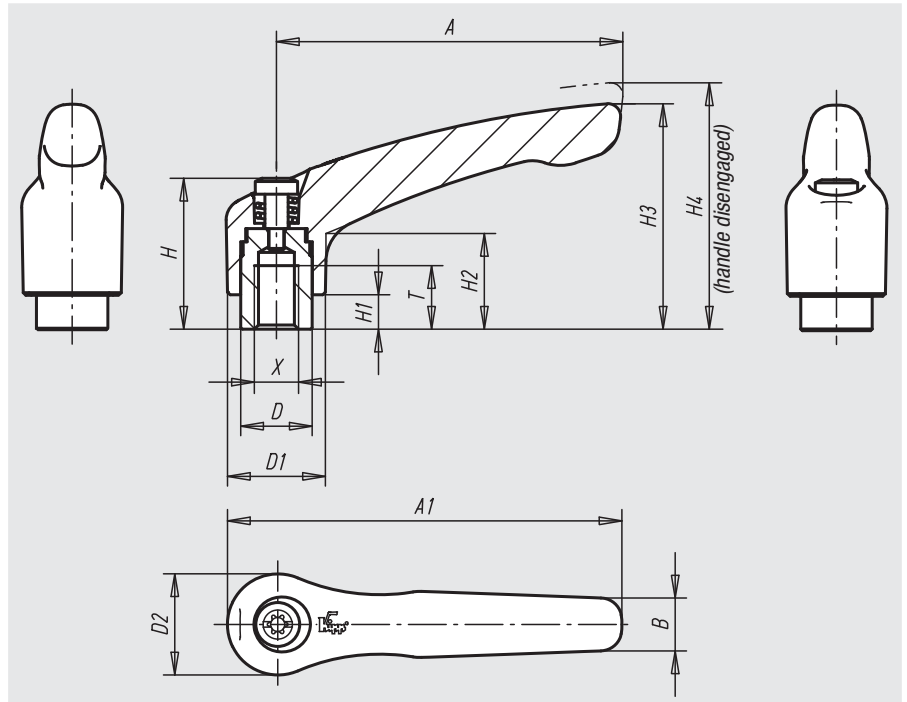
Handle in stainless steel electrolytic-polish;
steel parts natural finish

Sample order:

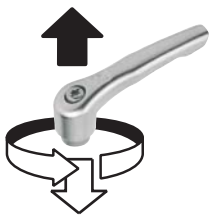
nIm 06454-105

On request:

Other internal threads and special versions.
Dimension „H1“ available in other lengths at extra charge.



disengage
by lifting



Order No.	Size	Internal thread X	T	D	D1	D2	H	H1	H2	H3	H4	A	A1	B	No. of teeth
06454-104	1	M4	9	10	13	14	24,5	4	14,5	31	34	40	47	7	16
06454-105	1	M5	9	10	13	14	24,5	4	14,5	31	34	40	47	7	16
06454-106	1	M6	9	10	13	14	24,5	4	14,5	31	34	40	47	7	16
06454-206	2	M6	12	13,5	18,5	19	28,5	6,5	17,5	42,5	45,5	65	74,5	10	20
06454-208	2	M8	12	13,5	18,5	19	28,5	6,5	17,5	42,5	45,5	65	74,5	10	20
06454-308	3	M8	14	16	21	22	37	10	24	54,5	58,5	80	91	11	22
06454-310	3	M10	14	16	21	22	37	10	24	54,5	58,5	80	91	11	22
06454-410	4	M10	17	19	27	27,5	43	10	27	63	67,5	95	109	13	24
06454-412	4	M12	17	19	27	27,5	43	10	27	63	67,5	95	109	13	24