

Clamp levers

with external thread, steel



Material:

Handle in die cast zinc to DIN 1743;
steel parts quality class 5.8

Surface finish:

Handle, plastic-coated.
Steel parts black oxide finish.

Sample order:

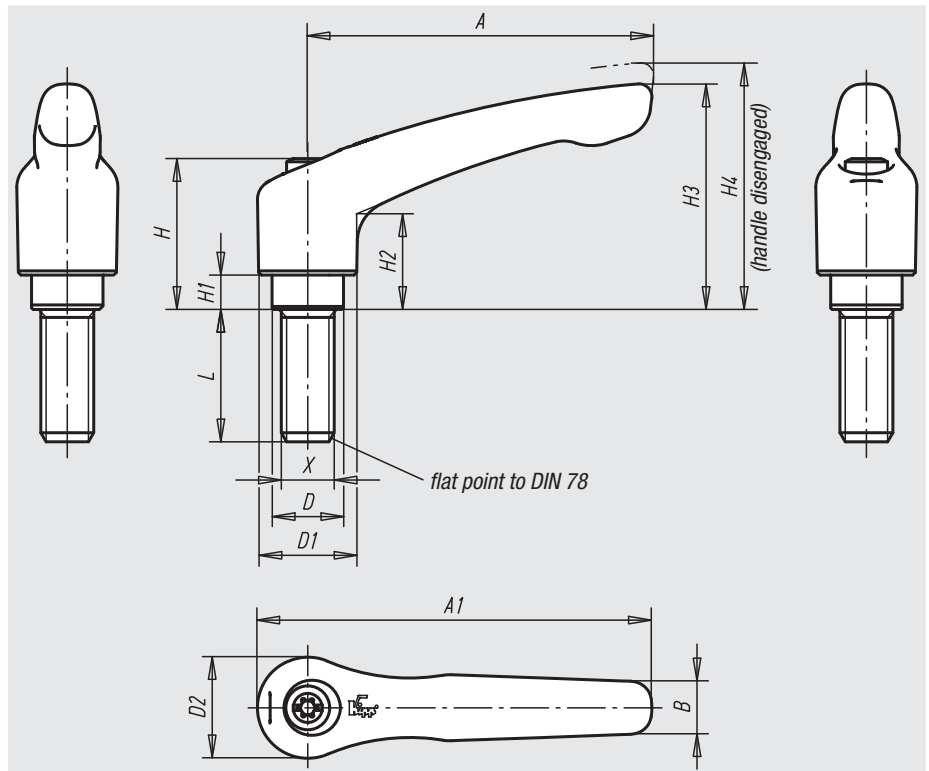
nIm 06460-0041X10 (please also indicate dimension L)

Note:

Standard colours are:
black satin finish, orange RAL 2004.

On request:

Other external threads, screw lengths, colours and special versions.
Dimension „H1“ available in other lengths at extra charge.



Technical data

| Size | External thread X | D | D1 | D2 | H | H1 | H2 | H3 | H4 | A | A1 | B | No. of teeth |
|------|-------------------|------|------|------|------|-----|------|------|------|-----|------|-----|--------------|
| 0 | M4/M5 | 10 | 13 | 14 | 24,5 | 4 | 14,5 | 30 | 33 | 30 | 37 | 7 | 16 |
| 1 | M5/M6 | 10 | 13 | 14 | 24,5 | 4 | 14,5 | 31 | 34 | 40 | 47 | 7 | 16 |
| 2 | M6/M8/M10 | 13,5 | 18,5 | 19 | 28,5 | 6,5 | 17,5 | 42,5 | 45,5 | 65 | 74,5 | 9,5 | 20 |
| 3 | M8/M10 | 16 | 21 | 22 | 37 | 10 | 24 | 54,5 | 58,5 | 80 | 91 | 11 | 22 |
| 4 | M10/M12 | 19 | 27 | 27,5 | 43 | 10 | 27 | 63 | 67,5 | 95 | 109 | 13 | 24 |
| 5 | M12/M16 | 23 | 31 | 32 | 49 | 12 | 31,5 | 73 | 77,5 | 110 | 126 | 15 | 26 |

| Order No. black satin finish | Order No. orange | Size | External thread X | L = screw length |
|------------------------------|------------------|------|-------------------|-------------------------------------|
| 06460-0041X | 06460-0042X | 0 | M4 | 10/15/20/25/30/35/40/45/50 |
| 06460-0051X | 06460-0052X | 0 | M5 | 10/15/20/25/30/35/40/45/50 |
| 06460-1051X | 06460-1052X | 1 | M5 | 10/15/20/25/30/35/40/45/50 |
| 06460-1061X | 06460-1062X | 1 | M6 | 10/15/20/25/30/35/40/45/50 |
| 06460-2061X | 06460-2062X | 2 | M6 | 15/20/25/30/35/40/45/50/55/60 |
| 06460-2081X | 06460-2082X | 2 | M8 | 15/20/25/30/35/40/45/50/55/60 |
| 06460-2101X | 06460-2102X | 2 | M10 | 15/20/25/30/35/40/45/50/55/60 |
| 06460-3081X | 06460-3082X | 3 | M8 | 15/20/25/30/35/40/45/50/55/60 |
| 06460-3101X | 06460-3102X | 3 | M10 | 15/20/25/30/35/40/45/50/55/60 |
| 06460-4101X | 06460-4102X | 4 | M10 | 20/25/30/35/40/45/50/55/60/70/80/90 |
| 06460-4121X | 06460-4122X | 4 | M12 | 20/25/30/35/40/45/50/55/60/70/80/90 |
| 06460-5121X | 06460-5122X | 5 | M12 | 25/30/35/40/45/50/55/60/70/80/90 |
| 06460-5161X | 06460-5162X | 5 | M16 | 25/30/35/40/45/50/55/60/70/80/90 |

