

Clamp levers in stainless steel with protective cap

with external thread



Material:

Handle in precision cast 1.4308,
other steel parts 1.4305

Surface finish:

Handle in stainless steel electrolytic-polish;
steel parts natural finish

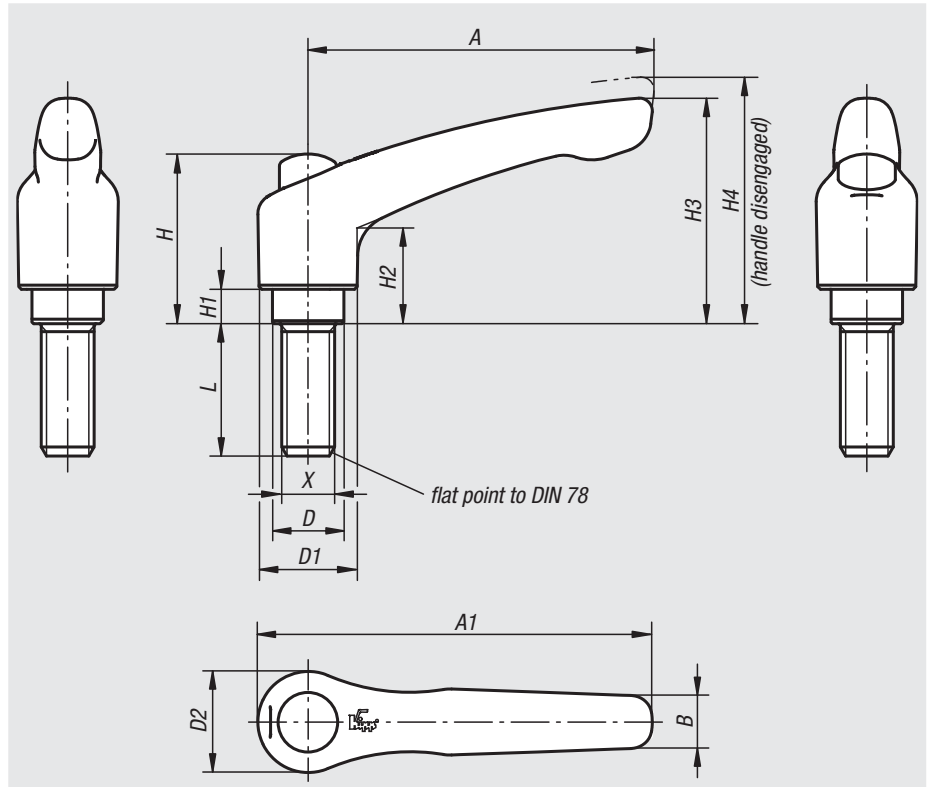
Sample order:

nIm 06464-9208X30 (please also indicate dimension L)

Note:

Other external threads, screw lengths and special versions.

Dimension „H1“ available in other lengths at extra charge.



Order No.	Size	External thread X	D	D1	D2	H	H1	H2	H3	H4	A	A1	B	No. of teeth	L = screw length
06464-9206X	2	M6	13,5	18,5	19	32	6,5	17,5	42,5	45,5	65	74,5	10	20	15/20/25/30/40/50/60
06464-9208X	2	M8	13,5	18,5	19	32	6,5	17,5	42,5	45,5	65	74,5	10	20	15/20/25/30/40/50/60
06464-9210X	2	M10	13,5	18,5	19	32	6,5	17,5	42,5	45,5	65	74,5	10	20	20/25/30/40/50/60
06464-9308X	3	M8	16	21	22	41,5	10	24	54,5	58,5	80	91	11	22	20/25/30/40/50/60
06464-9310X	3	M10	16	21	22	41,5	10	24	54,5	58,5	80	91	11	22	20/25/30/40/50/60

01000
02000
03000
04000
05000
06000
07000
08000
09000
20000
21000
22000
23000