

Straight crank handles

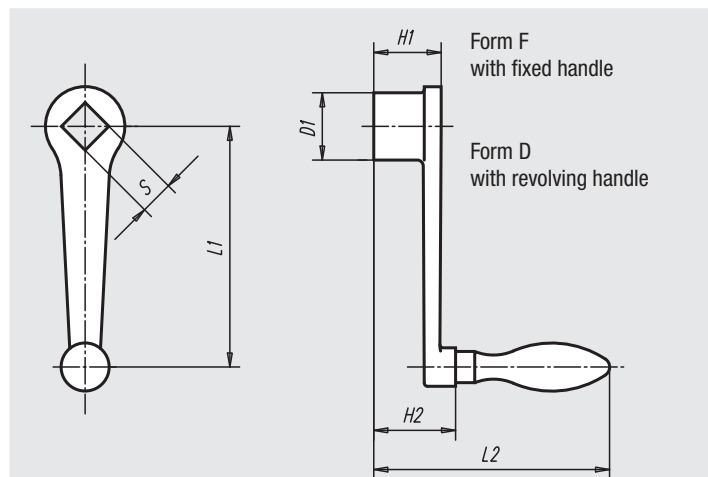
similar to DIN 469



Material:
Malleable or ductile cast iron crank arm.

Surface finish:
Blasted.

Sample order:
nlm 06490-120X22



| Order No. | Form | L1 | L2 | S | D1 | H1 | H2 | Diameter handle | Approx. weight kg |
|--------------|------|-----|-----|---------|----|----|----|-----------------|-------------------|
| 06490-106X10 | F | 63 | 80 | 10 +0,2 | 20 | 20 | 28 | 16 | 0,135 |
| 06490-108X10 | F | 80 | 98 | 10 +0,2 | 24 | 24 | 33 | 20 | 0,250 |
| 06490-108X12 | F | 80 | 98 | 12 +0,2 | 24 | 24 | 33 | 20 | 0,250 |
| 06490-110X12 | F | 100 | 102 | 12 +0,2 | 28 | 28 | 37 | 20 | 0,330 |
| 06490-110X14 | F | 100 | 102 | 14 +0,3 | 28 | 28 | 37 | 20 | 0,330 |
| 06490-112X14 | F | 125 | 120 | 14 +0,3 | 34 | 34 | 40 | 25 | 0,550 |
| 06490-112X17 | F | 125 | 120 | 17 +0,3 | 34 | 34 | 40 | 25 | 0,550 |
| 06490-116X17 | F | 160 | 131 | 17 +0,3 | 37 | 38 | 48 | 25 | 0,720 |
| 06490-116X19 | F | 160 | 131 | 19 +0,3 | 37 | 38 | 48 | 25 | 0,720 |
| 06490-120X19 | F | 200 | 158 | 19 +0,3 | 40 | 44 | 53 | 32 | 1,140 |
| 06490-120X22 | F | 200 | 158 | 22 +0,3 | 40 | 44 | 53 | 32 | 1,140 |
| 06490-206X10 | D | 63 | 80 | 10 +0,2 | 20 | 20 | 28 | 16 | 0,135 |
| 06490-208X10 | D | 80 | 98 | 10 +0,2 | 24 | 24 | 33 | 20 | 0,250 |
| 06490-208X12 | D | 80 | 98 | 12 +0,2 | 24 | 24 | 33 | 20 | 0,250 |
| 06490-210X12 | D | 100 | 102 | 12 +0,2 | 28 | 28 | 37 | 20 | 0,330 |
| 06490-210X14 | D | 100 | 102 | 14 +0,3 | 28 | 28 | 37 | 20 | 0,330 |
| 06490-212X14 | D | 125 | 120 | 14 +0,3 | 34 | 34 | 40 | 25 | 0,550 |
| 06490-212X17 | D | 125 | 120 | 17 +0,3 | 34 | 34 | 40 | 25 | 0,550 |
| 06490-216X17 | D | 160 | 131 | 17 +0,3 | 37 | 38 | 48 | 25 | 0,720 |
| 06490-216X19 | D | 160 | 131 | 19 +0,3 | 37 | 38 | 48 | 25 | 0,720 |
| 06490-220X19 | D | 200 | 158 | 19 +0,3 | 40 | 44 | 53 | 32 | 1,140 |
| 06490-220X22 | D | 200 | 158 | 22 +0,3 | 40 | 44 | 53 | 32 | 1,140 |