

# Crank handles

with cylindrical revolving grip

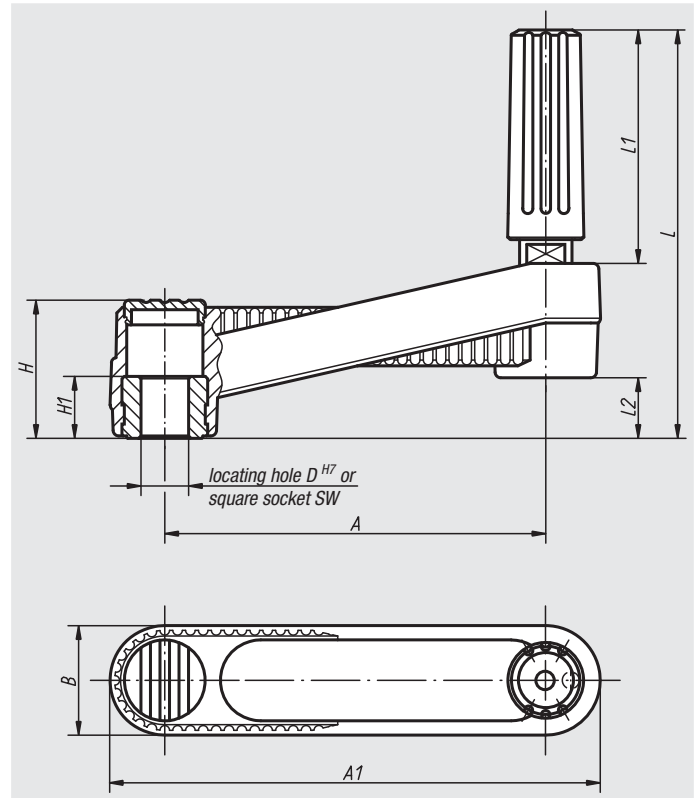
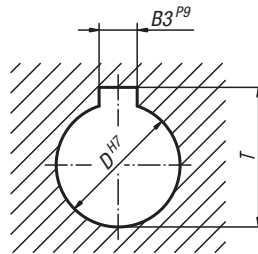


**Material, surface finish:**  
 Anthracite grey thermoplastic.  
 Steel parts black oxide finish.

**Sample order:**  
 nlm 06500-3108

**Note:**  
 The hub cap and the revolving grip are supplied loose. To assemble the handle simply screw the grip into the existing hole. Novo-Grip crank handles can be secured to a shaft by using a transverse pin or with axial key and keyway connection together with a DIN 6912 socket head screw and a DIN 7349 washer.

hub slot according to  
 DIN 6885-1



Order No.	Surface finish	Size	A	A1	B	D	H	H1	L	L1	L2	Approx. weight kg
06500-3108	locating hole without slots	1	80	104	24	8	29	13	85,5	49	13	0,110
06500-3110	locating hole without slot	1	80	104	24	10	29	13	85,5	49	13	0,110
06500-3210	locating hole without slots	2	100	129	29	10	36	13	105	59,5	16	0,210
06500-3212	locating hole without slots	2	100	129	29	12	36	13	105	59,5	16	0,210
06500-3312	locating hole without slots	3	125	161	36	12	44	18,5	140	83,5	19,5	0,405
06500-3314	locating hole without slot	3	125	161	36	14	44	18,5	140	83,5	19,5	0,405

Order No.	Surface finish	Size	A	A1	B	D	H	H1	L	L1	L2	B3	T	Approx. weight kg
06500-310802	locating hole with slot	1	80	104	24	8	29	13	85,5	49	13	2	9	0,110
06500-311003	locating hole with slot	1	80	104	24	10	29	13	85,5	49	13	3	11,4	0,110
06500-321003	locating hole with slot	2	100	129	29	10	36	13	105	59,5	16	3	11,4	0,210
06500-321204	locating hole with slot	2	100	129	29	12	36	13	105	59,5	16	4	13,8	0,210
06500-331204	locating hole with slot	3	125	161	36	12	44	18,5	140	83,5	19,5	4	13,8	0,405
06500-331405	locating hole with slot	3	125	161	36	14	44	18,5	140	83,5	19,5	5	16,3	0,405

Order No.	Surface finish	Size	A	A1	B	SW	H	H1	L	L1	L2	Approx. weight kg
06500-4108	square socket	1	80	104	24	8	29	13	85,5	49	13	0,110
06500-4110	square socket	1	80	104	24	10	29	13	85,5	49	13	0,110
06500-4210	square socket	2	100	129	29	10	36	13	105	59,5	16	0,210
06500-4212	square socket	2	100	129	29	12	36	13	105	59,5	16	0,210
06500-4312	square socket	3	125	161	36	12	44	18,5	140	83,5	19,5	0,405
06500-4314	square socket	3	125	161	36	14	44	18,5	140	83,5	19,5	0,405