

## Balanced handles

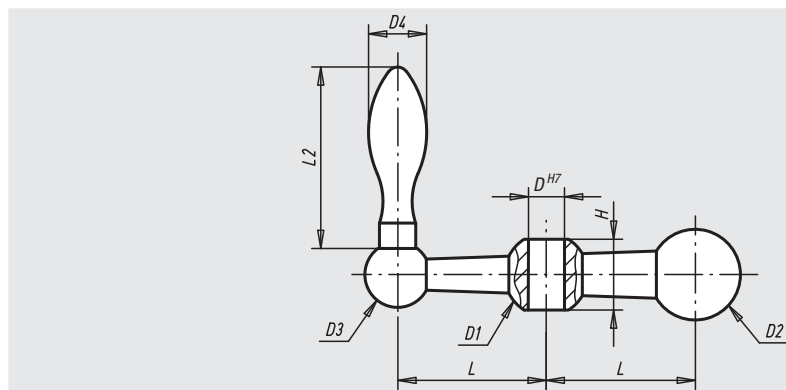


**Material:**  
Steel.

**Surface finish:**  
Galvanized.

**Sample order:**  
nlm 06510-108

**Note:**  
Fixed handle DIN 39.



Order No.	D	D1	D2	D3	D4	H	L	L2	Approx. weight kg
06510-107	7	16	18	13	10	13	25	32	0,065
06510-108	8	20	22	16	14	17	34	46	0,140
06510-110	10	23	25	18	16	19,5	41	50	0,200
06510-112	12	26	28	20	18	21,5	50	56	0,415

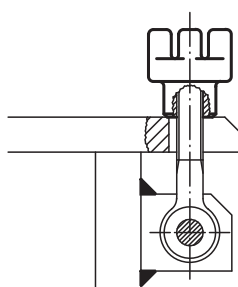
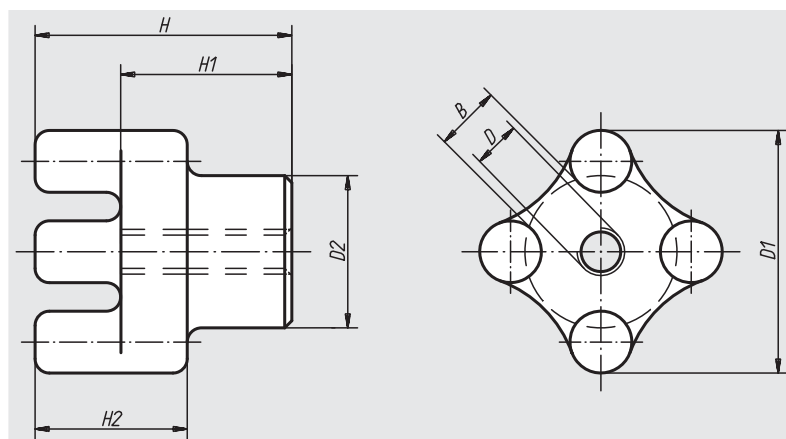
## Bar knops



**Material:**  
Malleable cast iron

**Surface finish:**  
Sand-blasted

**Sample order:**  
nlm 06550-12



Order No.	D	D1	D2	H	H1	H2	B	Approx. weight kg
06550-10	M10	51	32	54	36	32	12	0,390
06550-12	M12	51	32	54	36	32	12	0,350
06550-14	M14	51	32	54	36	32	12	0,340
06550-16	M16	51	32	54	36	32	12	0,330
06550-20	M20	64	38	60	40	35	18	0,545
06550-24	M24	90	57	70	40	45	30	0,500