

# Clamp levers

with internal thread and plastic handle



**Material, surface finish:**

Handle in glass-fibre reinforced plastic with toothed wheel in die cast zinc;  
steel parts quality class 5.8, black oxide finish

**Sample order:**

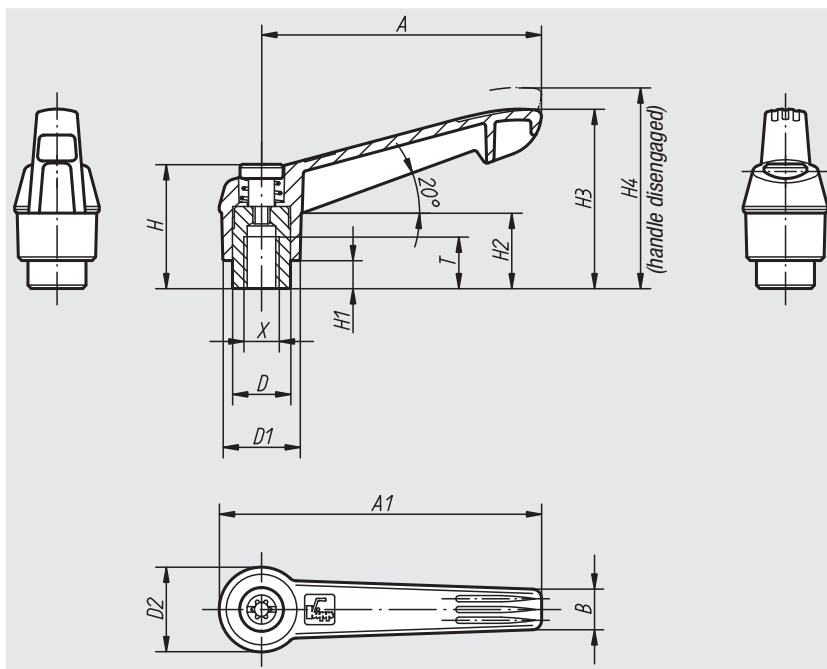
nIm 06600-10486 (clamp lever colour signal green)

**Note:**

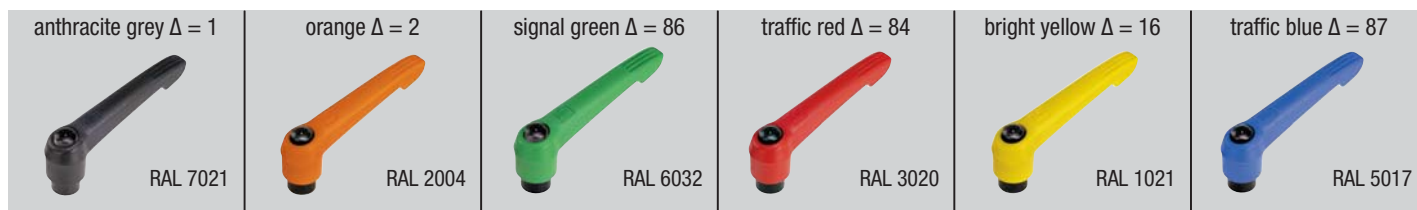
Δ Add the desired clamp lever colour here

**On request:**

Other internal threads and special versions.  
Dimension „H1“ available in other lengths at extra charge.



disengage  
by lifting



Order No.	Size	Internal thread X	T	D	D1	D2	H	H1	H2	H3	H4	A	A1	B	No. of teeth	Approx. weight kg
06600-104Δ	1	M4	9	10	13	14,5	24,5	4	15	30	33,5	40	47	7,5	16	0,013
06600-105Δ	1	M5	9	10	13	14,5	24,5	4	15	30	33,5	40	47	7,5	16	0,013
06600-106Δ	1	M6	9	10	13	14,5	24,5	4	15	30	33,5	40	47	7,5	16	0,013
06600-206Δ	2	M6	12	13,5	18	19,5	28,5	6,5	17,5	41,5	45,5	65	75	9,5	20	0,029
06600-208Δ	2	M8	12	13,5	18	19,5	28,5	6,5	17,5	41,5	45,5	65	75	9,5	20	0,029
06600-308Δ	3	M8	14	16	21,5	23	37	10	24	53,5	58	80	91,5	11	22	0,050
06600-310Δ	3	M10	14	16	21,5	23	37	10	24	53,5	58	80	91,5	11	22	0,050
06600-410Δ	4	M10	17	19	25,5	27,5	43	10	26	61	66	95	109	13	24	0,078
06600-412Δ	4	M12	17	19	25,5	27,5	43	10	26	61	66	95	109	13	24	0,078
06600-512Δ	5	M12	23	23	30	32,5	49	12	33	72	77	110	126	15,5	26	0,130
06600-516Δ	5	M16	23	23	30	32,5	49	12	33	72	77	110	126	15,5	26	0,130