

Clamping joints



Material, surface finish:

Clamp lever:

Handle, glass-fibre thermoplastic, anthracite grey.

Steel parts:

Quality class 5.8, black oxide finish.

Remaining components:

High-strength aluminium, nickel silver anodized.

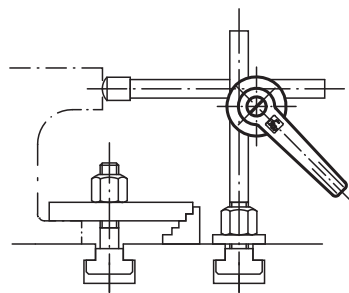
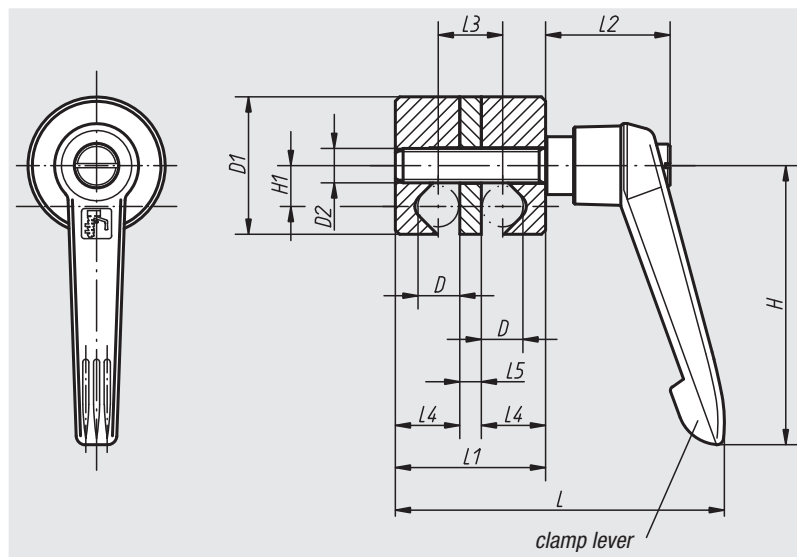
Sample order:

nln 06620-03

Note:

Clamping joints are used to clamp round cross sections (bars, tubes, etc.) and are continuously adjustable.

The design has been kept as simple as possible and, in conjunction with the adjustable clamp lever, it permits rapid clamping.



Order No.	Size	D	D1	D2	L	L1	L2	L3	L4	L5	H	H1	Approx. weight kg
06620-01	1	8	28	M8	72	31	29	13	13	5	65	8,5	0,082
06620-02	2	10	32	M8	76	35	29	15	15	5	65	9,5	0,100
06620-03	3	12	36	M8	81	40	29	18	17	6	65	10,5	0,127
06620-04	4	16	45	M10	103	50	37,5	22	22	6	80	13,5	0,233
06620-05	5	20	74	M10	131	70	42,5	30	30	10	95	22	0,750