

## Wing grips in stainless steel

**Material, surface finish:**

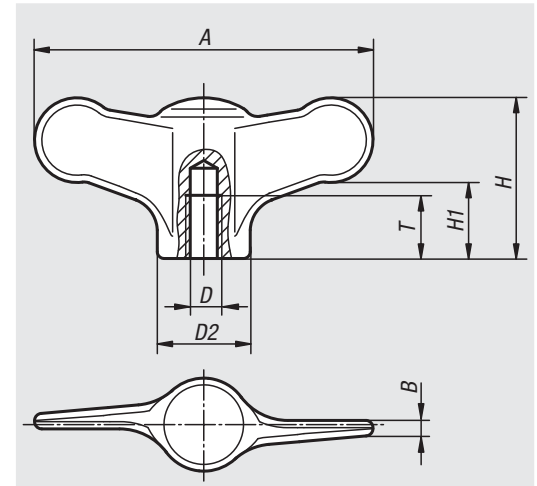
Stainless steel 1.4308, ground and polished.

**Sample order:**

nlm 06651-105

**On request:**

Wing grips with external threads.



Order No.	D	D2	A	B	H	H1	T	Approx. weight kg
06651-904	M4	10,5	38	1,7	18	8,5	9	0,015
06651-905	M5	10,5	38	1,7	18	8,5	9	0,015
06651-906	M6	10,5	38	1,7	18	8,5	9	0,015
06651-105	M5	14	50	2,3	24	11,5	12	0,035
06651-106	M6	14	50	2,3	24	11,5	12	0,035
06651-208	M8	21	75	3,4	35	16,5	15	0,121
06651-210	M10	21	75	3,4	35	16,5	15	0,121