

Wing grips



Material, surface finish:

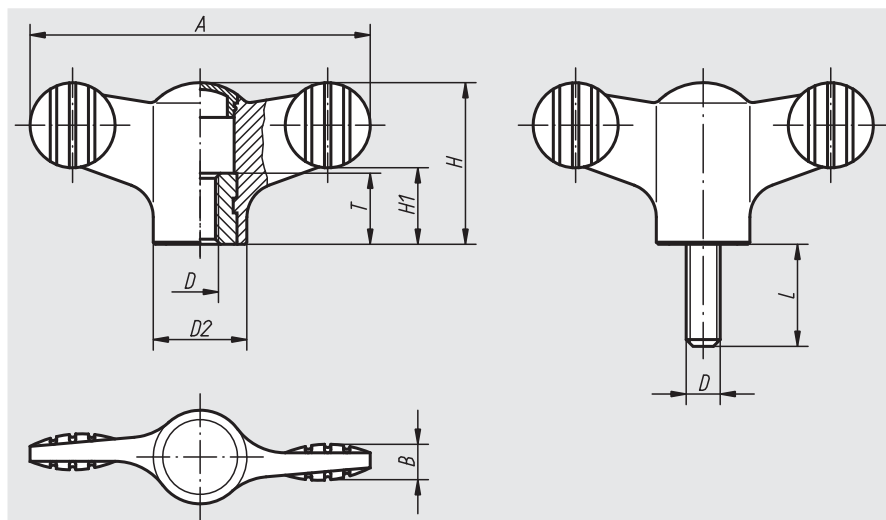
Anthracite grey thermoplastic bush and threaded bolt in steel 5.8, blue chromated or in stainless steel 1.4305, natural finish

Sample order:

nIm 06652-1057X20 (grip cap colour bright yellow; please also indicate dimension L)

Note:

Δ Add the desired cap colour here. No colour code is required with anthracite grey grip caps.



Wing grips with internal thread

Order No. bush in steel	Order No. bush in stainless steel	D	D2	A	B	H	H1	T
06652-904Δ	06652-0904Δ	M4	12	38	4,5	18	8,5	10
06652-905Δ	06652-0905Δ	M5	12	38	4,5	18	8,5	10
06652-906Δ	06652-0906Δ	M6	12	38	4,5	18	8,5	10
06652-105Δ	06652-0105Δ	M5	14	50	5	24	11,5	10
06652-106Δ	06652-0106Δ	M6	14	50	5	24	11,5	10
06652-208Δ	06652-0208Δ	M8	21	75	7	35,6	16,5	14
06652-210Δ	06652-0210Δ	M10	21	75	7	35,6	16,5	14

Wing grips with external thread

Order No. bolts steel	Order No. bolts stainless steel	D	A	B	D2	H	H1	L = screw length
06652-904ΔX	06652-0904ΔX	M4	38	4,5	12	18	8,5	10/15
06652-905ΔX	06652-0905ΔX	M5	38	4,5	12	18	8,5	15/20/30
06652-906ΔX	06652-0906ΔX	M6	38	4,5	12	18	8,5	20/30/40
06652-105ΔX	06652-0105ΔX	M5	50	5	14	24	11,5	15/20
06652-106ΔX	06652-0106ΔX	M6	50	5	14	24	11,5	20/30/40
06652-108ΔX	06652-0108ΔX	M8	50	5	14	24	11,5	20/30/40
06652-208ΔX	06652-0208ΔX	M8	75	7	21	35,6	16,5	20/30/40
06652-210ΔX	06652-0210ΔX	M10	75	7	21	35,6	16,5	20/30/40/50