

# Triangular star grips

with high collar



**Material:**

Black duroplastic PF 31.  
 Bush and threaded bolt in galvanized steel or stainless steel with natural finish.

**Surface finish:**

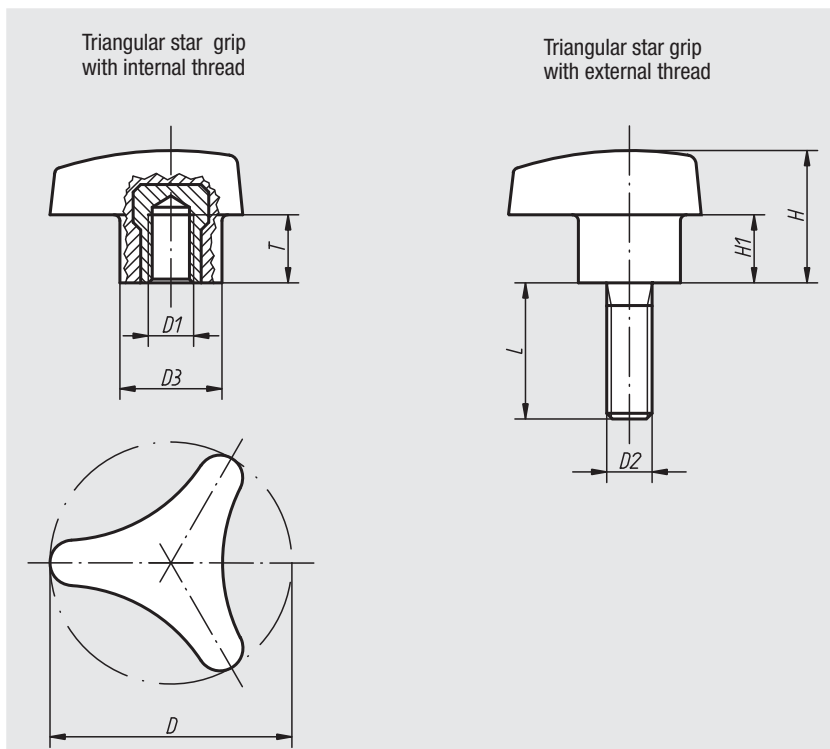
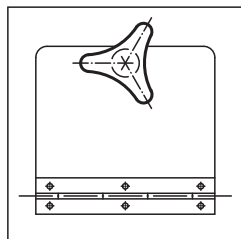
Deburred and high-polish finish

**Sample order:**

nIm 06702-14008X20 (please also indicate dimension L)

**On request:**

Other external threads, screw lengths and colours.



## Triangular star grips with high collar and internal thread

Order No.	Surface finish	D	D1	D3	H	H1	T
06702-14006	bush in steel	40	M6	13,5	24	13,5	9
06702-15008	bush in steel	50	M8	17,4	28	14	13
06702-16210	bush in steel	62	M10	21,8	34	17	13
06702-24006	bush in stainless steel	40	M6	13,5	24	13,5	9
06702-25008	bush in stainless steel	50	M8	17,4	28	14	13
06702-26210	bush in stainless steel	62	M10	21,8	34	17	13

## Triangular star grips with high collar and external thread

Order No.	Surface finish	D	D2	D3	H	H1	L
06702-14006X15	bolt in steel	40	M6	13,5	24	13,5	15
06702-14008X20	bolt in steel	40	M8	13,5	24	13,5	20
06702-15008X20	bolt in steel	50	M8	17,4	28	14	20
06702-15010X25	bolt in steel	50	M10	17,4	28	14	25
06702-16210X25	bolt in steel	62	M10	21,8	34	17	25
06702-24006X20	bolt in stainless steel	40	M6	13,5	24	13,5	20
06702-24008X20	bolt in stainless steel	40	M8	13,5	24	13,5	20
06702-25008X20	bolt in stainless steel	50	M8	17,4	28	14	20
06702-25010X30	bolt in stainless steel	50	M10	17,4	28	14	30
06702-26210X30	bolt in stainless steel	62	M10	21,8	34	17	30