

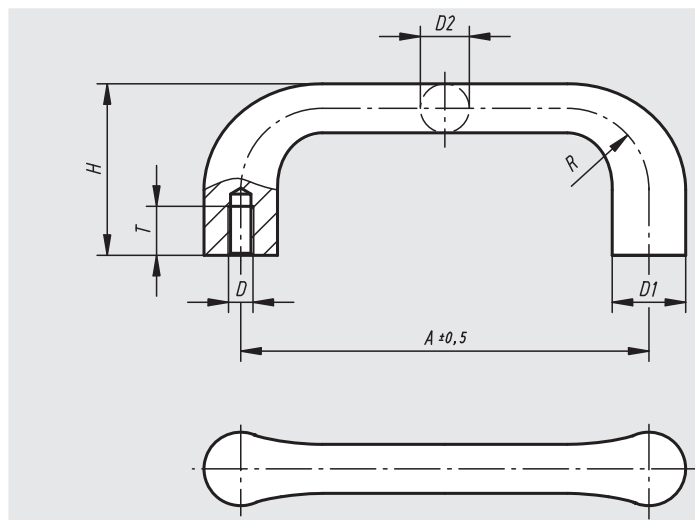
Stirrup-shaped handles



Material:
GJS 400

Surface finish:
Deburred and tumble cleaned;
black plastic coated;
machined contact faces.

Sample order:
nlm 06895-12510



Order No. tumbled	Order No. tumbled plastic-coated, black	A	D	D1	D2	H	R	T	Load bearing capacity N
06895-10006	06895-100061	100	M6	18	12	42	20	12	1000
06895-11208	06895-112081	112	M8	20	14	47	22	15	1000
06895-12510	06895-125101	125	M10	22	16	53	24	18	1000
06895-14012	06895-140121	140	M12	25	18	59	26	20	1000

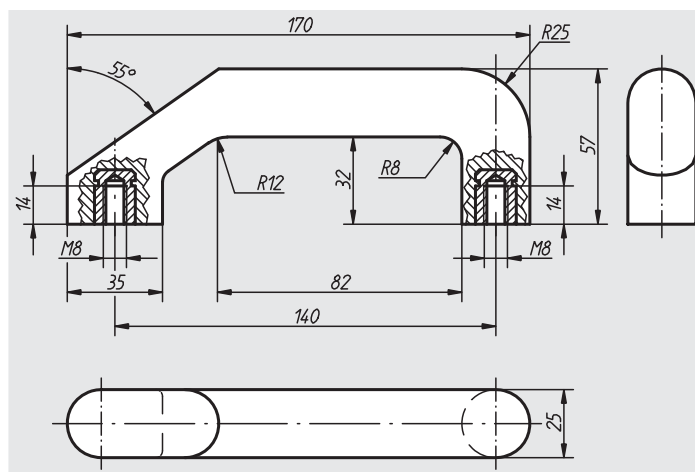
Stirrup-shaped handles



Material:
Black duroplastic PF 31; bush in brass
or in galvanized steel

Surface finish:
Deburred and high-polish finish

Sample order:
nlm 06900-101



Order No.	Bush material	Load bearing capacity N	Approx. weight kg
06900-101	brass	300	0,180
06900-201	galvanized steel	300	0,180