

Stirrup-shaped handles

**Material:**

Thermoplastic PA (polyamide) or PP (polypropylene), glass-ball reinforced.

Surface finish:

anthracite grey

Sample order:

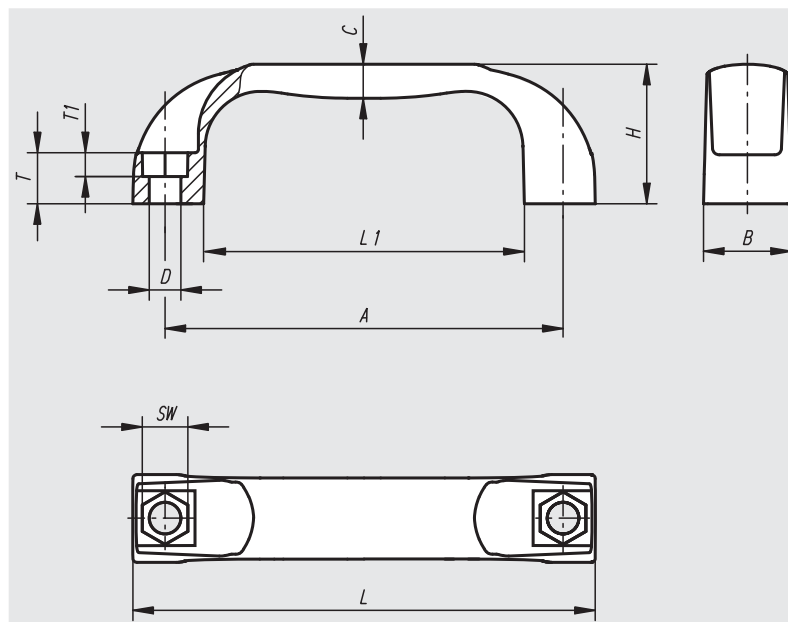
nIm 06903-113208

Note:

The fastening hole is designed in such a way that the stirrup-shaped handles can be secured from the operating side with a socket head screw or a hexagon nut.

On request:

Other handle colours.



Order No.	Surface finish	A	B	C	D	H	L	L1	SW	T	T1	Load bearing capacity N
06903-109406	thermoplastic PA	94 ±0,5	21	8	6,6	36	109	76	10	13	6	1000
06903-111708	thermoplastic PA	117 ±0,5	26	10	9	41	136	94	13	15	8	1500
06903-113208	thermoplastic PA	132 ±0,5	27	11	9	44	154	112	13	16	8	1500
06903-117908	thermoplastic PA	179 ±1,0	28	11	9	50	197	156	13	17	8	1500
06903-209406	thermoplastic PP	94 ±0,5	21	8	6,6	36	109	76	10	13	6	500
06903-211708	thermoplastic PP	117 ±0,5	26	10	9	41	136	94	13	15	8	800
06903-213208	thermoplastic PP	132 ±0,5	27	11	9	44	154	112	13	16	8	800
06903-217908	thermoplastic PP	179 ±1,0	28	11	9	50	197	156	13	17	8	800