

Stirrup-shaped handles


Material:

Glass bead reinforced thermoplastic

Surface finish:

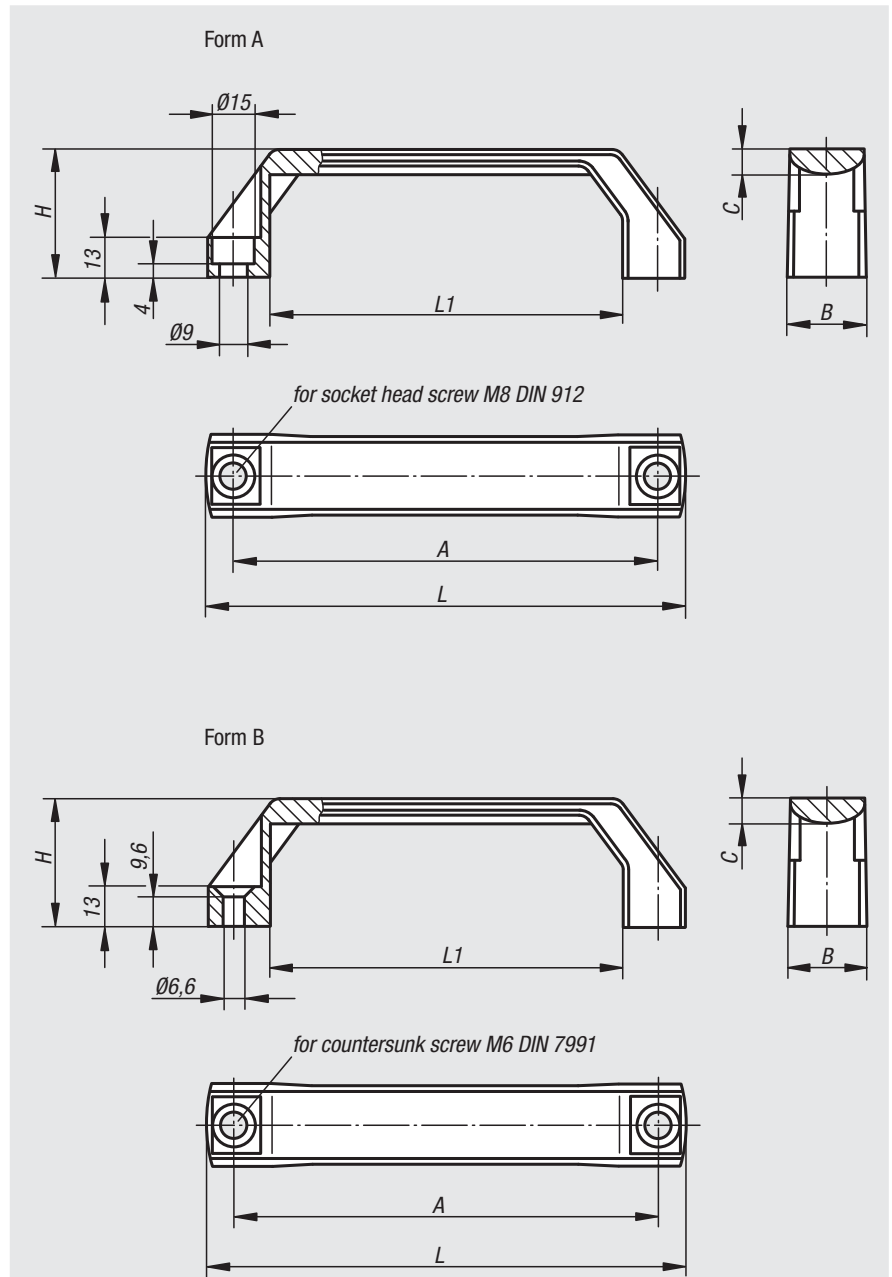
Matt black or orange

Sample order:

nIm 06904-1120081

Note:

Dimension „A“ applies after mounting. Before mounting it can be up to 2 mm smaller due to the release of the bending stress.



Order No. matt black	Order No. orange	Form	A	B	C	H	L	L1	Load bearing capacity N	Approx. weight kg
06904-1120081	06904-1120082	A	120	26	8	42	138	96	1000	0,053
06904-1140081	06904-1140082	A	140	26	8	42	158	116	1000	0,058
06904-1160081	06904-1160082	A	160	28	9	45	178	136	1000	0,074
06904-2120061	06904-2120062	B	120	26	8	42	138	96	1000	0,056
06904-2140061	06904-2140062	B	140	26	8	42	158	116	1000	0,061
06904-2160061	06904-2160062	B	160	28	9	45	178	136	1000	0,076