

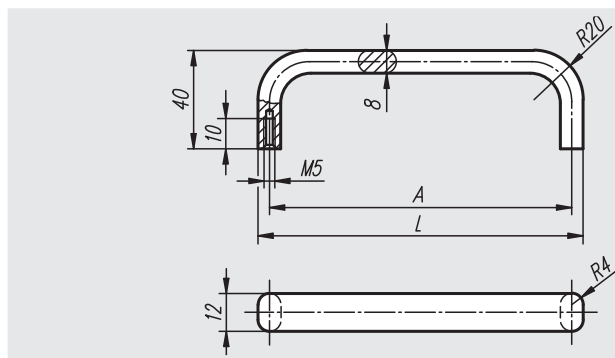
Oval bow handles



Material:
Oval aluminium

Surface finish:
Surface matt-finished and natural colour anodized or black anodized

Sample order:
nlm 06918-055051



Order No. Black anodized	Order No. natural colour anodized	A	L	Load bearing capacity N	Approx. weight kg
06918-055051	06918-055053	55	63	500	0,024
06918-088051	06918-088053	88	96	500	0,030
06918-100051	06918-100053	100	108	500	0,032
06918-120051	06918-120053	120	128	500	0,037
06918-180051	06918-180053	180	188	500	0,050
06918-200051	06918-200053	200	208	500	0,055
06918-235051	06918-235053	235	243	500	0,064
06918-250051	06918-250053	250	258	500	0,068

Stirrup-shaped handles round

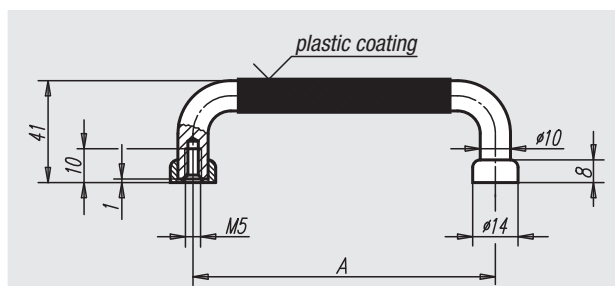


Material:
Round steel

Surface finish:
Surface very finely ground and matt-polish chromium-plated; connecting bridge with plastic coating

Sample order:
nlm 06919-05505

Note:
High quality handles for front panels and similar applications.



Order No.	A	Load bearing capacity N	Approx. weight kg
06919-05505	55	1000	0,075
06919-08805	88	1000	0,097
06919-10005	100	1000	0,105
06919-10205	102	1000	0,106
06919-11505	115	1000	0,114
06919-12005	120	1000	0,118
06919-13605	136	1000	0,128
06919-18005	180	1000	0,157
06919-20005	200	1000	0,170
06919-23505	235	1000	0,193
06919-25005	250	1000	0,203