

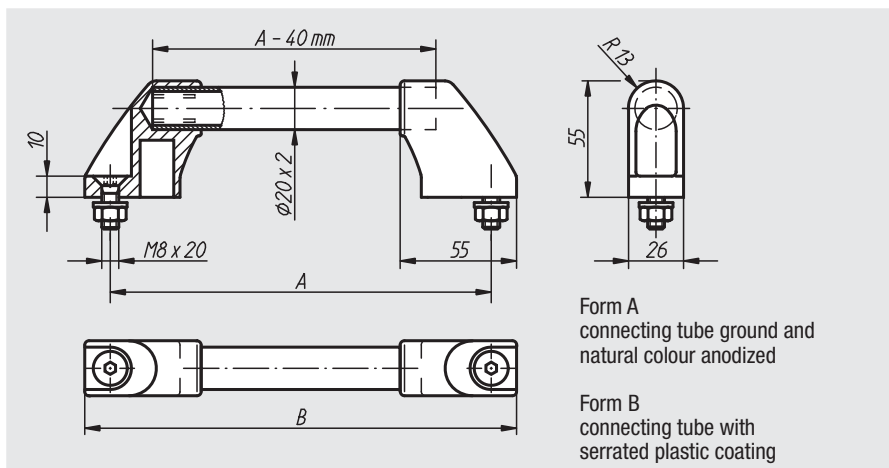
Lightweight handles



Material:
Grip legs in black glass-ball reinforced thermoplastic;
connecting tube aluminium

Sample order:
nlm 06926-200

Note:
The grip legs have 4 clamping webs within the area of the tube receiver. When pushing the connecting tube in, they are abraded and produce a seat with a precise fit.
Black galvanized fastening screws, as well as suitable washers and nuts are supplied.



Order No. Form A	Order No. Form B	A	B	Load bearing capacity N	Approx. weight kg
06926-180	06926-1803	180	204	500	0,165
06926-200	06926-2003	200	224	500	0,175
06926-250	06926-2503	250	274	500	0,185
06926-300	06926-3003	300	324	500	0,200
06926-350	06926-3503	350	374	500	0,210
06926-400	06926-4003	400	424	500	0,220
06926-500	06926-5003	500	524	500	0,245
06926-600	06926-6003	600	624	500	0,270