

Tube handles



Material:

Connecting bridge in aluminium EN AW-6060;
grip leg in polyamide glass-ball reinforced;
threaded bush in brass;
clamping sleeves in stainless steel

Surface finish:

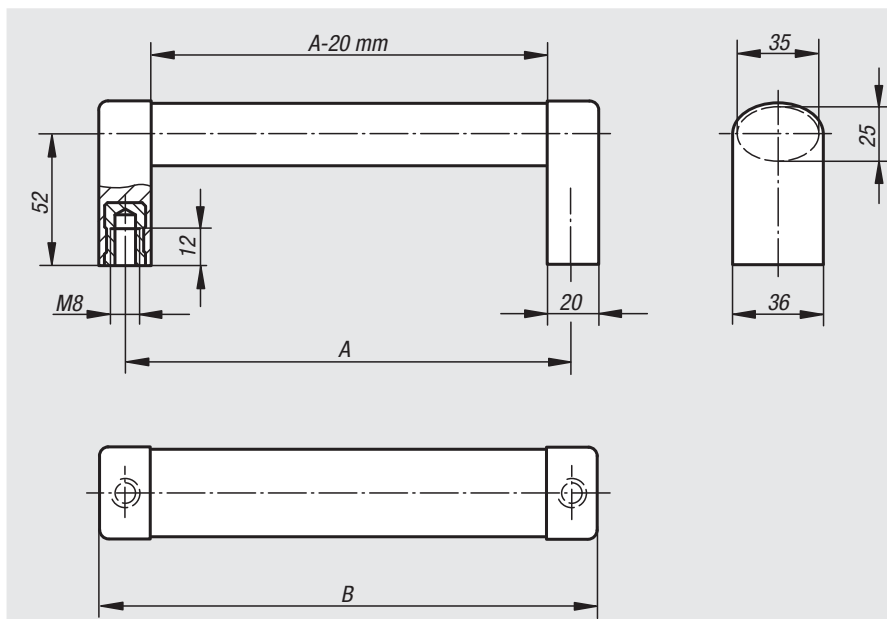
Connecting bridge natural colour or black anodized;
grip leg aluminium colour or black

Sample order:

nln 06927-1200081

Note:

Pluggable oval-profile handles. Versions with plastic legs and aluminium oval bridge.



Order No. Connecting bridge, natural colour anodized, grip leg aluminium colour	Order No. Connecting bridge, natural colour anodized, grip leg black	Order No. Connecting bridge, black anodized, grip leg black	A	B	Load bearing capacity N	Approx. weight kg
06927-1200081	06927-1200082	06927-1200083	200	220	1000	0,255
06927-1250081	06927-1250082	06927-1250083	250	270	1000	0,295
06927-1300081	06927-1300082	06927-1300083	300	320	1000	0,334
06927-1400081	06927-1400082	06927-1400083	400	420	1000	0,414
06927-1500081	06927-1500082	06927-1500083	500	520	1000	0,493