

Apparatus handles


Material:

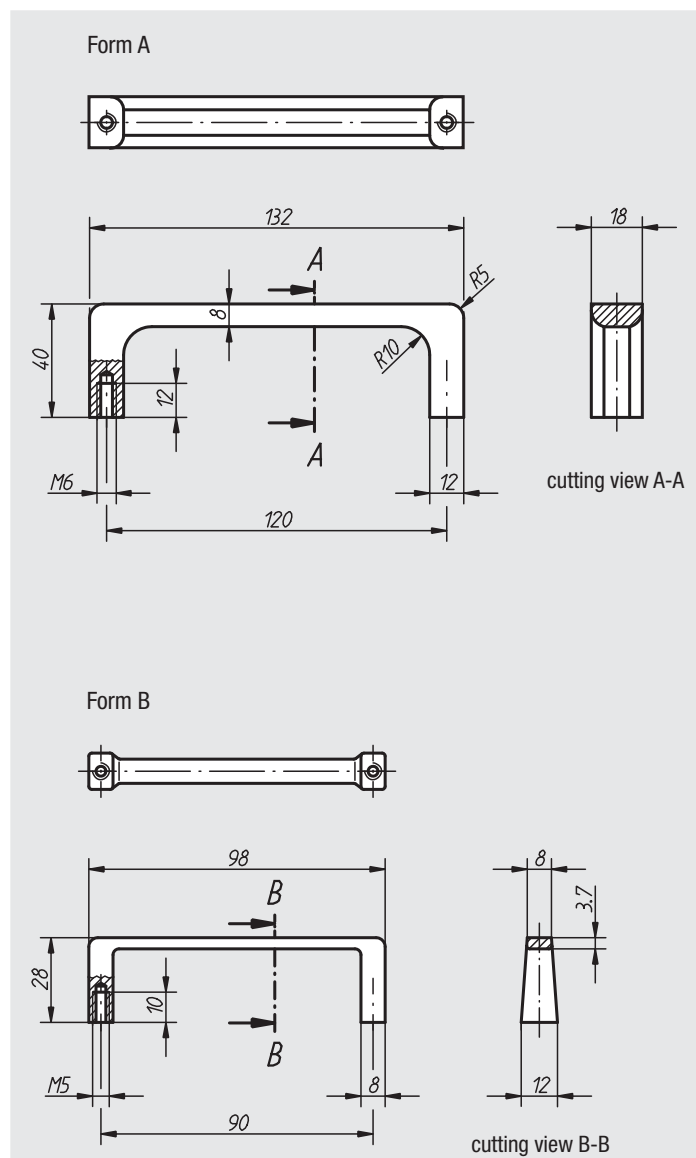
Profile aluminium EN AW-6060

Surface finish:

Matt-finished, black anodized or natural colour anodized

Sample order:

nlm 06929-12001



Order No.	Form	Surface finish	Load bearing capacity N	Approx. weight kg
06929-12001	A	black anodized	500	0,070
06929-09001	B	black anodized	300	0,010
06929-12003	A	natural colour anodized	500	0,070
06929-09003	B	natural colour anodized	300	0,010