

## Stirrup-shaped handles, in stainless steel



### Material:

Handle stainless steel 1.4305  
Fasteners made of 1.4301

### Surface finish:

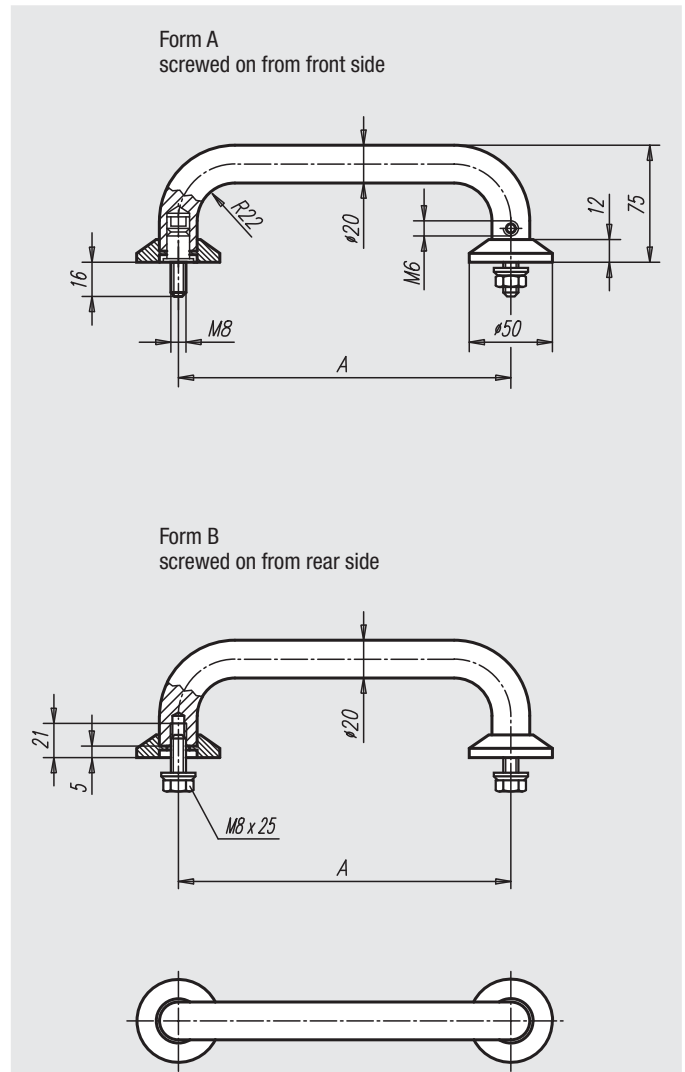
Ground and satin brushed finish.

### Sample order:

nIm 06931-2001

### Note:

These stainless steel pull handles are ideal for all technical applications where highest load and high chemical or corrosive resistance is required.



Order No.	Form	A	Load bearing capacity N	Approx. weight kg
06931-2001	A	200	1000	1,035
06931-2501	A	250	1000	1,157
06931-2002	B	200	1000	1,035
06931-2502	B	250	1000	1,157