

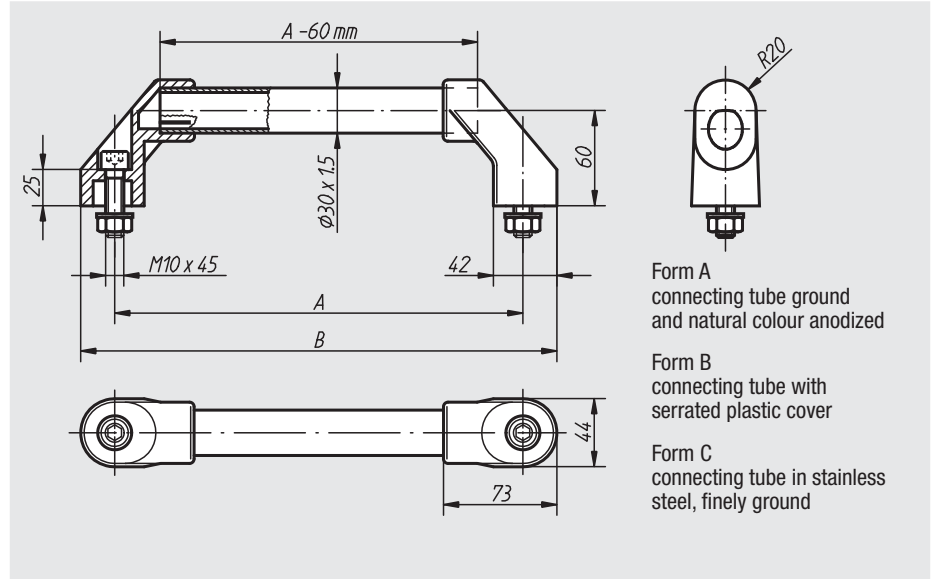
# Tube handles



**Material:**  
Grip legs in black glass-ball reinforced thermoplastic;  
connecting tube aluminium EN AW-6060 or stainless steel 1.4301

**Sample order:**  
nlm 06938-3501

**Note:**  
The grip legs have four clamping webs within the area of the tube receiver. When pushing the connecting tube in, they are abraded and produce a seat with a precise fit. Black galvanized fastening screws as well as suitable washers and nuts are supplied.



Order No. Form A	Order No. Form B	Order No. Form C	A	B	Load bearing capacity N
06938-2501	06938-2502	06938-2503	250	294	1000
06938-3001	06938-3002	06938-3003	300	344	1000
06938-3501	06938-3502	06938-3503	350	394	1000
06938-4001	06938-4002	06938-4003	400	444	1000
06938-5001	06938-5002	06938-5003	500	544	1000
06938-6001	06938-6002	06938-6003	600	644	1000

01000 02000 03000 04000 05000 06000 07000 08000 09000 20000 21000 22000 23000