

Tube handles


Material:

Connecting tube, aluminium EN AW-6060;
grip legs in glass-ball reinforced polyamide

Surface finish:

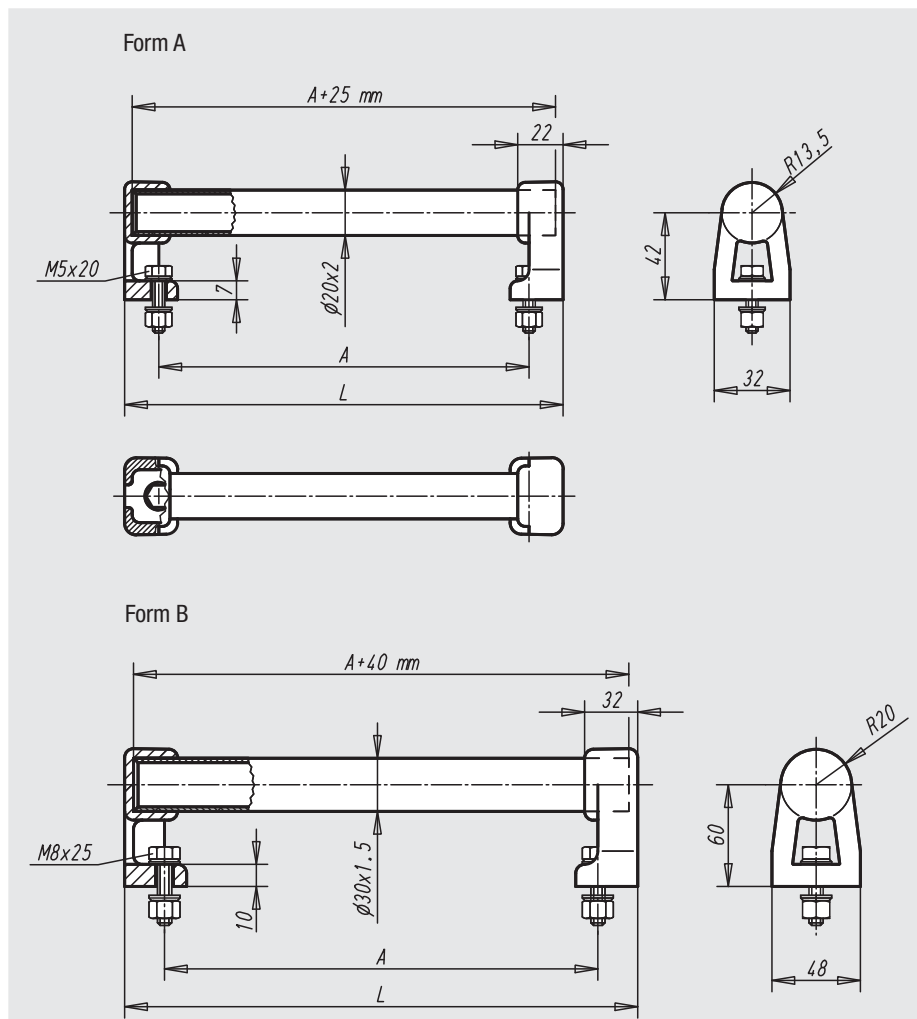
Connecting tube natural colour anodized or with serrated plastic cover

Sample order:

nIm 06939-150203

Note:

The grip legs have two/ four three-square PVC profiles within the area of the tube receiver. These three-square PVC profiles are abraded when the connecting tube is inserted (push fit). In this way an exact fit is generated. Black galvanized fastening screws as well as suitable washers and nuts are supplied.



| Order No. natural colour anodized | Order No. serrated plastic cover | Form | A | L | Load bearing capacity N | Approx. weight kg |
|--------------------------------------|-------------------------------------|------|-----|-----|-------------------------|-------------------|
| 06939-150203 | 06939-150202 | A | 150 | 184 | 1000 | 0,118 |
| 06939-200203 | 06939-200202 | A | 200 | 234 | 1000 | 0,135 |
| 06939-300203 | 06939-300202 | A | 300 | 334 | 1000 | 0,167 |
| 06939-400203 | 06939-400202 | A | 400 | 434 | 1000 | 0,200 |
| 06939-500203 | 06939-500202 | A | 500 | 534 | 1000 | 0,232 |
| 06939-150303 | 06939-150302 | B | 150 | 200 | 1000 | 0,118 |
| 06939-300303 | 06939-300302 | B | 300 | 350 | 1000 | 0,167 |
| 06939-400303 | 06939-400302 | B | 400 | 450 | 1000 | 0,200 |
| 06939-200303 | 06939-200302 | B | 200 | 250 | 1000 | 0,135 |
| 06939-500303 | 06939-500302 | B | 500 | 550 | 1000 | 0,232 |