

Tube handles


Material:

Tube holder and tube cap in glass-ball-reinforced polyamide; connecting tube aluminium EN AW-6060

Surface finish:

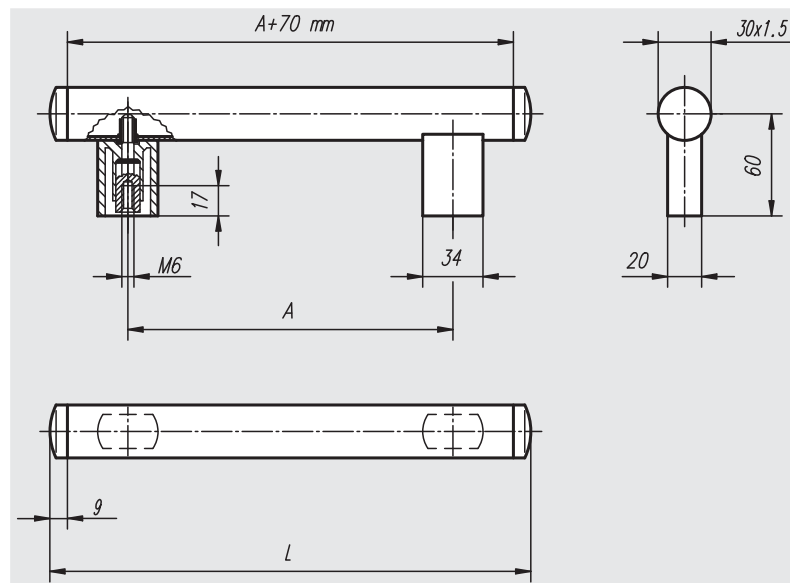
Connecting tube finely ground and black anodized or natural colour anodized; tube holder and tube cap semi-matt with fine texture, black

Sample order:

nIm 06940-200061

Note:

Tear-out-resistant screw connection between handle holder and tube by non-releasing blind rivet nut.



Order No.	Surface finish	A	L	Load bearing capacity N	Approx. weight kg
06940-200061	black anodized	200	288	800	0,211
06940-250061	black anodized	250	338	800	0,228
06940-300061	black anodized	300	388	800	0,245
06940-400061	black anodized	400	488	800	0,280
06940-500061	black anodized	500	588	800	0,315
06940-200063	natural colour anodized	200	288	800	0,211
06940-250063	natural colour anodized	250	338	800	0,228
06940-300063	natural colour anodized	300	388	800	0,245
06940-400063	natural colour anodized	400	488	800	0,280
06940-500063	natural colour anodized	500	588	800	0,315