

## Machine handles

**Material:**

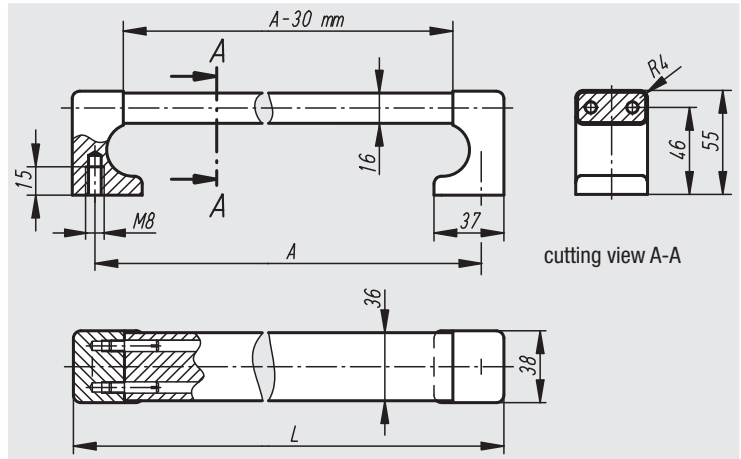
Grip leg and connecting bridge in aluminium EN AW-6060;  
connecting pins in stainless steel

**Surface finish:**

Grip leg and connecting bridge finely ground, black anodized or natural colour anodized

**Note:**

The solid construction also permits this handle series to be used as edge protection.



Order No. black anodized	Order No. natural colour anodized	A	L	Load bearing capacity N	Approx. weight kg
06944-250081	06944-250083	250	274	1000	0,555
06944-300081	06944-300083	300	324	1000	0,618
06944-400081	06944-400083	400	424	1000	0,742
06944-500081	06944-500083	500	524	1000	0,867
06944-600081	06944-600083	600	624	1000	0,992

## Control panel handles

**Material:**

Round aluminium EN AW-6060

**Surface finish:**

Ground, glass-ball blasted and matt-polish black anodized

**Sample order:**

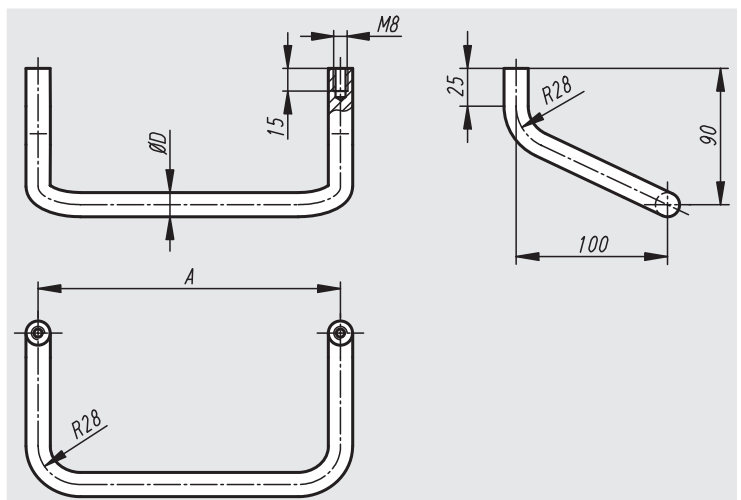
nIm 06945-20016

**Note:**

End washers not included.

**On request:**

Any handle length.



Order No.	A	D	Load bearing capacity N	Approx. weight kg	Order No. end washer
06945-20016	200	16	1000	0,240	06945-16
06945-25016	250	16	1000	0,270	06945-16
06945-30016	300	16	1000	0,300	06945-16
06945-40016	400	16	1000	0,350	06945-16
06945-50018	500	18	1000	0,520	06945-18