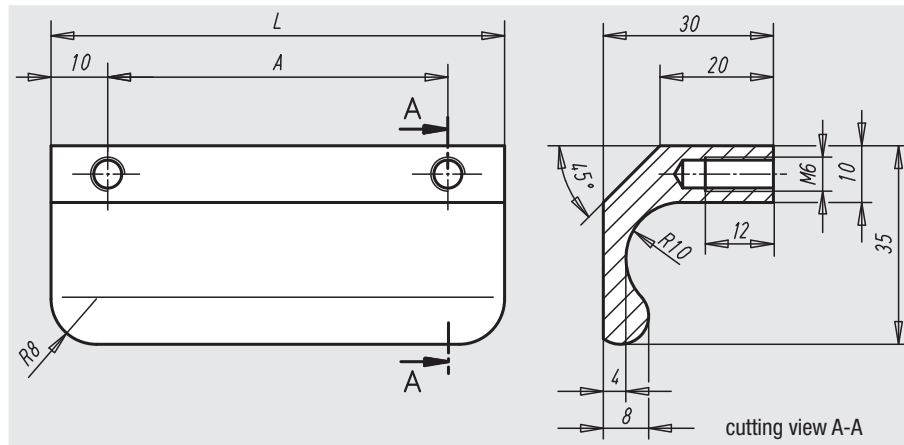
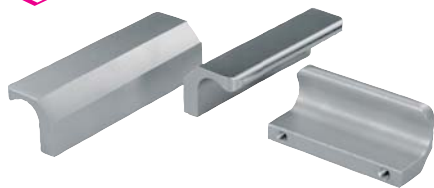


Ledge handles

in stainless steel



Material:
Profile in refined steel, stainless steel 1.4404

Surface finish:
Blasted and electro-polished with matt-gloss finish

Sample order:
nlm 06951-06006

On request:
Any other lengths.

Order No.	A	L	Load bearing capacity N	Approx. weight kg
06951-06006	60	80	1000	0,248
06951-08006	80	100	1000	0,310
06951-10006	100	120	1000	0,373
06951-13006	130	150	1000	0,467