

Angled profile handles

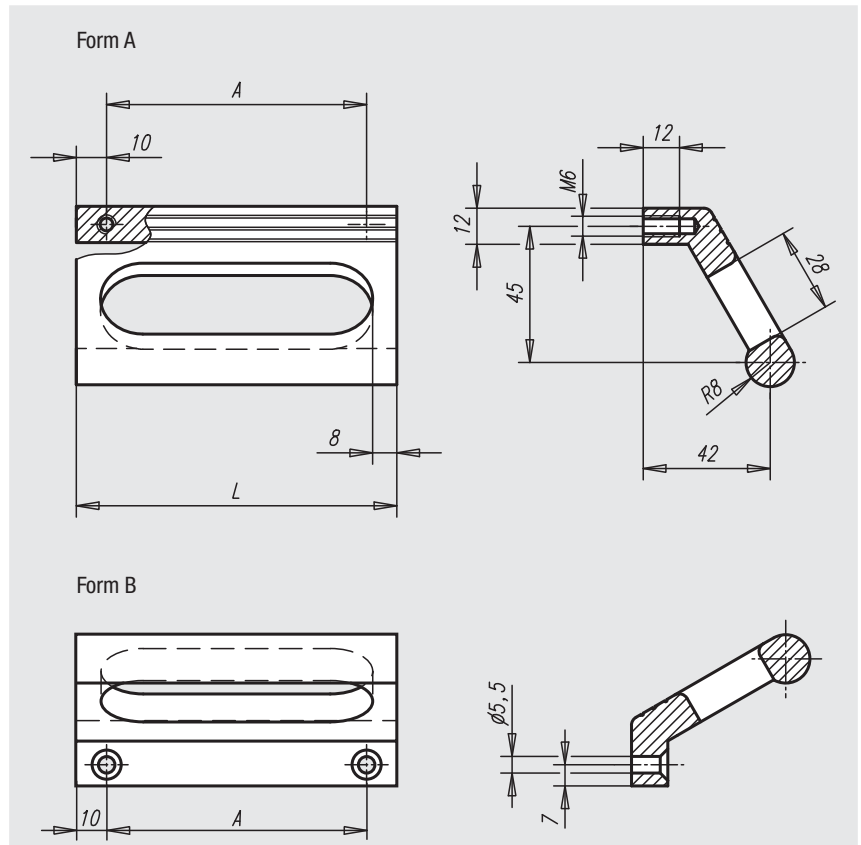


Material:
Profile aluminium EN AW-6060

Surface finish:
Profile aluminium matt-polish anodized

Sample order:
nlm 06952-086061

Note:
Angled profile handles are available with internal thread M6 or with through hole for M5 countersunk screws for side mounting.



Order No.	Form	Surface finish	A	L	Load bearing capacity N	Approx. weight kg
06952-086061	A	black anodized	86	106	500	0,189
06952-100061	A	black anodized	100	120	500	0,203
06952-120061	A	black anodized	120	140	500	0,233
06952-086063	A	natural colour anodized	86	106	500	0,189
06952-100063	A	natural colour anodized	100	120	500	0,203
06952-120063	A	natural colour anodized	120	140	500	0,233
06952-086051	B	black anodized	86	106	500	0,189
06952-100051	B	black anodized	100	120	500	0,203
06952-120051	B	black anodized	120	140	500	0,233
06952-086053	B	natural colour anodized	86	106	500	0,189
06952-100053	B	natural colour anodized	100	120	500	0,203
06952-120053	B	natural colour anodized	120	140	500	0,233