

# Profile folding handles



**Material:**

Tray and folding handle in aluminium profile, end caps polyamide; form A: mounting by rubber insert  
 form B: mounting by 2 countersunk screws, steel

**Surface finish:**

Tray and folding handle glass-ball blasted, satin finish and black anodized or natural colour anodized; rubber insert black, fastening screws galvanized

**Sample order:**

nIm 06961-10011

**Note:**

Profile folding handles form A can be fitted without screw mounting with 2 soft plastic profiles with sheet strengths of 1-2.5 mm.

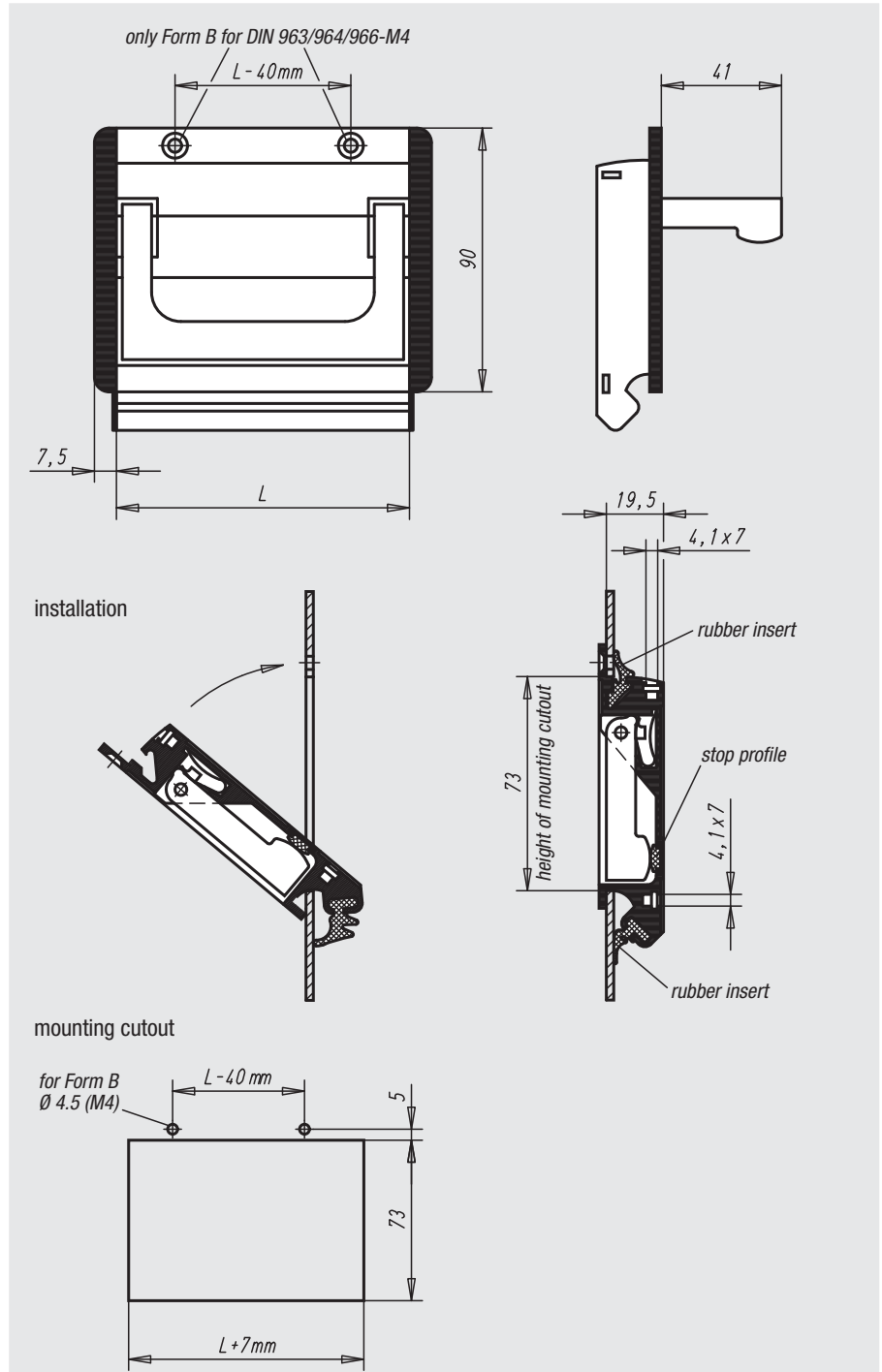
Profile folding handles form B can be mounted from outside with 2 countersunk screws.

Two cross-slots for M4 screws allow earth/ground connection and can serve as a mounting aid for additional add-on parts.

**Assembly:**

After fitting the lower rubber insert, press the two side caps onto the tray handle. Next press the handle over the lower edge of the mounting cutout at a 45° angle and then hold it against the housing panel.

Now push the 2nd rubber insert into the upper groove and mount it with 2 countersunk screws.



Order No. tray and folding handle black anodized	Order No. tray and folding handle natural colour anodized	Form	L	Mounting cutout	Load bearing capacity N	Approx. weight kg
06961-10011	06961-10013	A	100	107 x 73	500	0,273
06961-11811	06961-11813	A	118	125 x 73	500	0,320
06961-16711	06961-16713	A	167	174 x 73	500	0,433
06961-10021	06961-10023	B	100	107 x 73	500	0,273
06961-11821	06961-11823	B	118	125 x 73	500	0,320
06961-16721	06961-16723	B	167	174 x 73	500	0,433

01000  
02000  
03000  
04000  
05000  
06000  
07000  
08000  
09000  
20000  
21000  
22000  
23000