

Trough grips



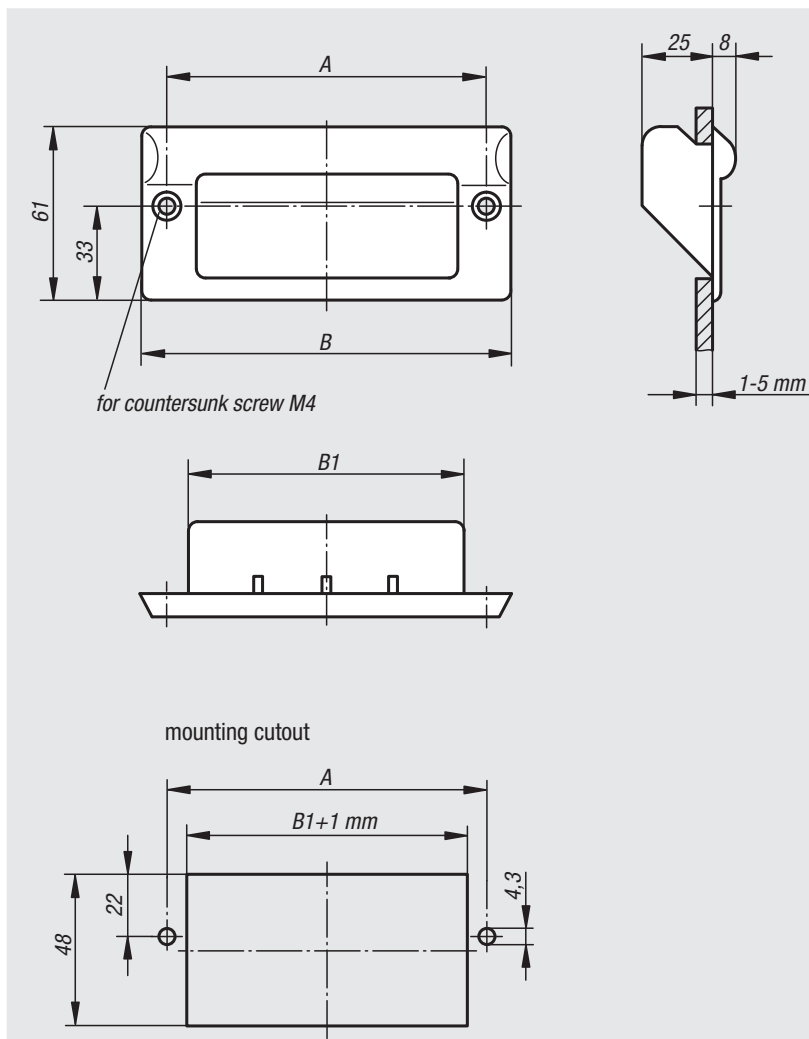
Material:
Glass-ball reinforced thermoplastic

Surface finish:
Semi-matt, black or light grey

Sample order:
nlm 06965-1082041

Note:
These ergonomically shaped trough grips are ideally suited for wall thickness of 1-5 mm.

Assembly:
The handle has to be inserted in the cutout of the housing panel and then mounted from front side with 2 countersunk screws (not included).



Order No.	Colour	A	B	B1	Load bearing capacity N	Approx. weight kg
06965-1082041	black	82	100	67	1000	0,044
06965-1112041	black	112	130	97	1000	0,056
06965-1082042	light grey	82	100	67	1000	0,044
06965-1112042	light grey	112	130	97	1000	0,056