

Studs


Material:

Tempered steel 1.1181

Surface finish:

Heat-treated class 8.8, black oxide finish

Sample order:

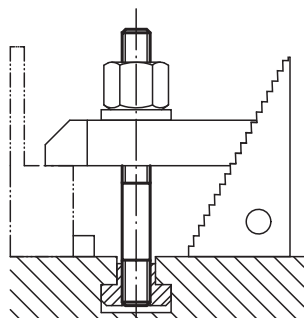
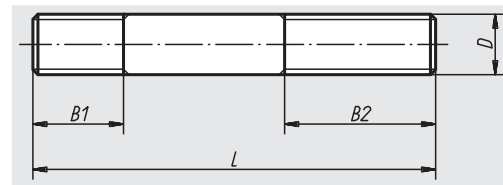
nIm 07020-308

Note:

Permissible load: see Technical Information.

On request:

Stainless steel.



Order No.	D	L	B1	B2	Approx. weight g
07020-105	M5	20	7	10	3
07020-205	M5	30	7	10	4
07020-106	M6	25	10	12	4
07020-206	M6	35	10	12	5
07020-306	M6	45	10	12	10
07020-406	M6	60	10	12	14
07020-108	M8	40	12	25	13
07020-208	M8	50	12	25	17
07020-308	M8	70	12	25	25
07020-408	M8	80	12	25	28
07020-110	M10	50	15	30	25
07020-210	M10	67	15	30	35
07020-310	M10	80	15	30	45
07020-410	M10	100	15	30	55
07020-112	M12	56	18	30	40
07020-212	M12	67	18	30	50
07020-312	M12	80	18	30	62
07020-412	M12	100	18	30	80
07020-512	M12	125	18	30	102
07020-114	M14	60	20	30	60
07020-214	M14	80	20	30	82
07020-314	M14	100	20	30	105
07020-414	M14	125	20	30	135
07020-514	M14	150	20	30	170
07020-116	M16	75	25	30	100
07020-216	M16	100	25	30	140
07020-316	M16	125	25	30	175
07020-416	M16	150	25	30	220
07020-120	M20	100	30	40	210
07020-220	M20	125	30	40	270
07020-320	M20	150	30	40	340
07020-420	M20	180	30	40	410